



GRESHAM



ADLINGTON MESH

TASK & VISITOR



ADLINGTON MESH

TASK & VISITOR

The compact design of the Adlington Mesh incorporates a posture design and seat comfort usually associated with higher value models.



AM/4

High back, mechanism 4

↑ OVERALL HEIGHT: 1015/1245MM

↔ OVERALL WIDTH: 640MM

⊕ OVERALL DEPTH: 640MM

↑ SEAT HEIGHT: 480/585MM

↔ SEAT WIDTH: 490MM

⊕ SEAT DEPTH: 465MM



AM/4A2

High back with black fixed arms, mechanism 4

↑ OVERALL HEIGHT: 1015/1245MM

↔ OVERALL WIDTH: 640MM

⊕ OVERALL DEPTH: 640MM

↑ OVERALL ARM HEIGHT: 575/705MM

↑ SEAT HEIGHT: 480/585MM

↔ SEAT WIDTH: 490MM

⊕ SEAT DEPTH: 465MM



AM/4A8

High back with black height adjustable arms, mechanism 4

↑ OVERALL HEIGHT: 1015/1245MM

↔ OVERALL WIDTH: 640MM

⊕ OVERALL DEPTH: 640MM

↑ OVERALL ARM HEIGHT: 645/820MM

↑ SEAT HEIGHT: 480/585MM

↔ SEAT WIDTH: 490MM

⊕ SEAT DEPTH: 465MM



AM/9

High back, mechanism 9

↑ OVERALL HEIGHT: 1015/1245MM

↔ OVERALL WIDTH: 640MM

⊕ OVERALL DEPTH: 640MM

↑ SEAT HEIGHT: 480/585MM

↔ SEAT WIDTH: 490MM

⊕ SEAT DEPTH: 465MM

ADLINGTON MESH

TASK & VISITOR



AM/9A2

High back with black fixed arms,
mechanism 9

↑ OVERALL HEIGHT: 1015/1245MM

↔ OVERALL WIDTH: 640MM

⊕ OVERALL DEPTH: 640MM

↑ OVERALL ARM HEIGHT: 575/705MM

↑ SEAT HEIGHT: 480/585MM

↔ SEAT WIDTH: 490MM

⊕ SEAT DEPTH: 465MM



AM/9A8

High back with black height adjustable
arms, mechanism 9

↑ OVERALL HEIGHT: 1015/1245MM

↔ OVERALL WIDTH: 640MM

⊕ OVERALL DEPTH: 640MM

↑ OVERALL ARM HEIGHT: 645/820MM

↑ SEAT HEIGHT: 480/585MM

↔ SEAT WIDTH: 490MM

⊕ SEAT DEPTH: 465MM



AMD/4

Drafting chair (glides)

↑ OVERALL HEIGHT: 1125/1495MM

↔ OVERALL WIDTH: 640MM

⊕ OVERALL DEPTH: 640MM

↑ SEAT HEIGHT: 640/890MM

↔ SEAT WIDTH: 490MM

⊕ SEAT DEPTH: 465MM



AMD/4A2

Drafting chair with black
fixed arms (glides)

↑ OVERALL HEIGHT: 1125/1495MM

↔ OVERALL WIDTH: 640MM

⊕ OVERALL DEPTH: 640MM

↑ OVERALL ARM HEIGHT: 725/1090MM

↑ SEAT HEIGHT: 640/890MM

↔ SEAT WIDTH: 490MM

⊕ SEAT DEPTH: 465MM

ADLINGTON MESH

TASK & VISITOR



AM/9A13

High back black height adjustable & foldable arms mechanism 9

↑ OVERALL HEIGHT: 1015/1245MM

↔ OVERALL WIDTH: 640MM

⊕ OVERALL DEPTH: 640MM

↑ OVERALL ARM HEIGHT: 600/710MM

↑ SEAT HEIGHT: 480/585MM

↔ SEAT WIDTH: 490MM

⊕ SEAT DEPTH: 465MM



AM/4A13

High back black height adjustable & foldable arms mechanism 4

↑ OVERALL HEIGHT: 1015/1245MM

↔ OVERALL WIDTH: 640MM

⊕ OVERALL DEPTH: 640MM

↑ OVERALL ARM HEIGHT: 600/710MM

↑ SEAT HEIGHT: 480/585MM

↔ SEAT WIDTH: 490MM

⊕ SEAT DEPTH: 465MM

FEATURES

- Hand wheel back height adjustment
- Choice of 2 mechanisms
- Gas height adjustment
- Available with a selection of fixed or adjustable arms
- Available with optional seat slide
- Available with optional polished aluminium base

MATERIALS

Seat boards are produced from laminated plywood, pre-fitted with 'T'- Nuts used as mounting points. These are covered with CMHR (Combustion Modified High Resilience) flexible foam for comfort and to conform to flammability requirements. The seat boards are then upholstered in fabric which is available in a wide range of patterns, colours & weaves – all suitable for contract use. Seat covers and back framework are produced in injection moulded Polypropylene. Back framework encapsulated a woven mesh fabric.

Structural elements such as the support back bar, mechanism & gas column are produced in steel. These have an epoxy powder coated finish. Five star bases are available in either glass-filled Polyamide (Nylon) or polished aluminium.

Environment



Quality



Maximum Load
Per Seat



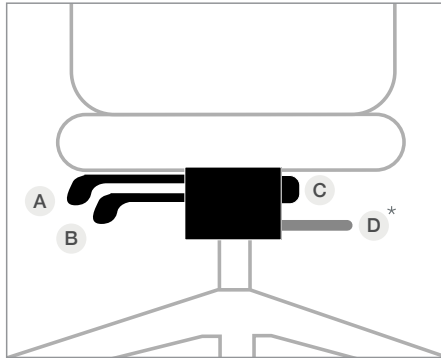
Guarantee



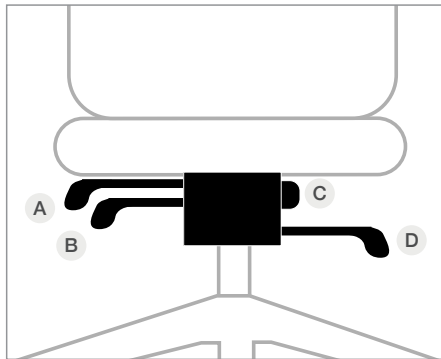
*Further 'standards' certification available upon request.

TECHNICAL INFORMATION

SEATING MECHANISM



MECH 4

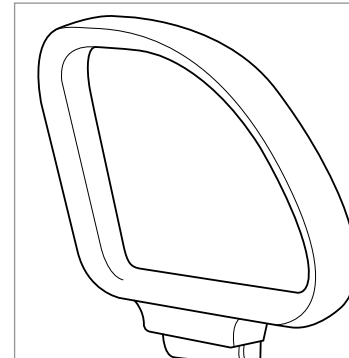


MECH 9

- A - Seat height adjustment
- B - Back angle adjustment
- C - Mechanism tension adjustment
- D - Seat depth adjustment

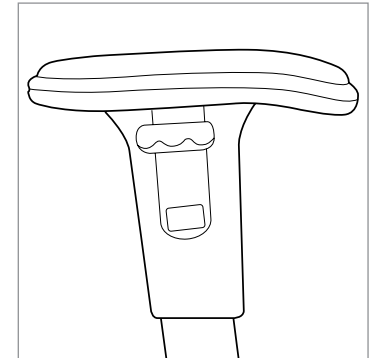
*optional

ARMS



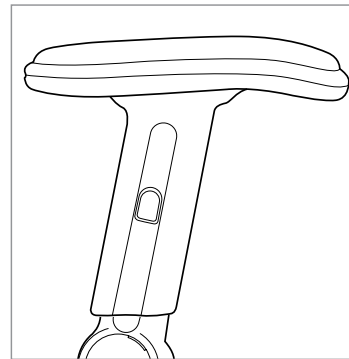
A2

Black fixed arms



A8

Black height adjustable arms
(lift lever to adjust height)



A13

Height adjustable & foldable arms
(push button to adjust height and fold)





GRESHAM

Head Office: Gresham Office Furniture Limited, Platinum Park, Lynstock Way, Horwich, Bolton, BL6 4SA | **Tel:** 01204 664422

London Showroom: 28 St John's Lane, Clerkenwell, London, EC1M 4BU | **Tel:** 020 7242 5709

WWW.GOF.CO.UK