



GRESHAM



# PLATINUM SQUARED

PRODUCT DATA SPECIFICATION



GRESHAM

# PLATINUM SQUARED

## PRODUCT DATA SPECIFICATION

An outstanding range of seating with enhanced ergonomic properties and alternative back.

### Materials

Seat boards are produced from laminated plywood with pre-fitted threaded 'T' Nuts' for accurate mounting points. The boards are covered with CMHR (Combustion Modified High Resilience) flexible Polyurethane foam for comfort and compliance to flammability requirements.

Inner back boards are produced from Polypropylene that is covered with a similar foam to the seats. These are upholstered in fabric which is available in a wide selection of colours, patterns and weaves. This assembly is covered to the rear with a Polypropylene outer back.

Structural elements, such as mechanisms, back bars or side chair frames are manufactured in steel. These are produced from various tubular or flat sheet sections and finished in either an epoxy powder coating or chrome finish depending upon the model.

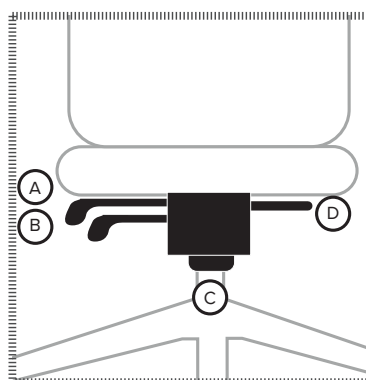
### Considerations

- Optional mechanisms
- Height adjustable backrest
- Optional arms
- Optional inflatable lumbar
- Optional seat slide for adjustable depth
- Optional polished Aluminium base
- Available with complementary cantilever side chairs

### Technical Details

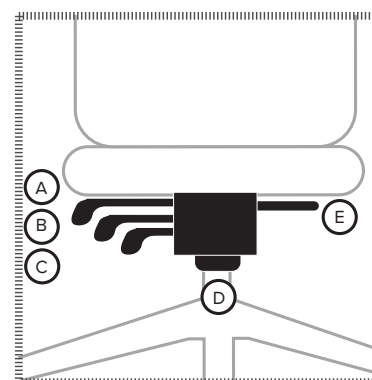
Model	PSQH/3	PSQH/3A2	PSQH/3A8	PSQH/3A13	PSQM/3	PSQM/3A2	PSQM/3A8	PSQM/3A13
OA Height	970-1160	970-1160	970-1160	970-1160	940-1140	940-1140	940-1140	940-1140
OA Width	640	640	640	640	640	640	640	640
OA Depth	640	640	640	640	640	640	640	640
OA Arm Height	-	705-795	680-865	640-820	-	705-795	680-865	640-820
Seat Height	420-540	420-540	420-540	420-540	420-540	420-540	420-540	420-540
Seat Width	515	515	515	515	515	515	515	515
Seat Depth	490	490	490	490	490	490	490	490

Model	PSQHXC	PSQHXA	PSQMD/8	PSQMD/8A2
OA Height	970	970	1130-1460	1130-1460
OA Width	525	525	640	640
OA Depth	600	600	640	640
OA Arm Height	-	650	-	830-1090
Seat Height	480	480	640-890	640-890
Seat Width	515	515	515	515
Seat Depth	490	490	490	490



MECH 2

- A - Seat Height Adjustment
- B - Seat & Back Angle Adjustment (Synchronized)
- C - Mechanism Tension Adjustment
- D - Seat Depth Adjustment (Optional)



MECH 3

- A - Seat Height Adjustment
- B - Seat Tilt
- C - Back Angle Adjustment / Lock
- D - Mechanism Tension Adjustment
- E - Seat Depth Adjustment (Optional)

Environment

Certification

Quality

98% Recyclable

Maximum Load Per Seat

Fabric Choice

Guarantee