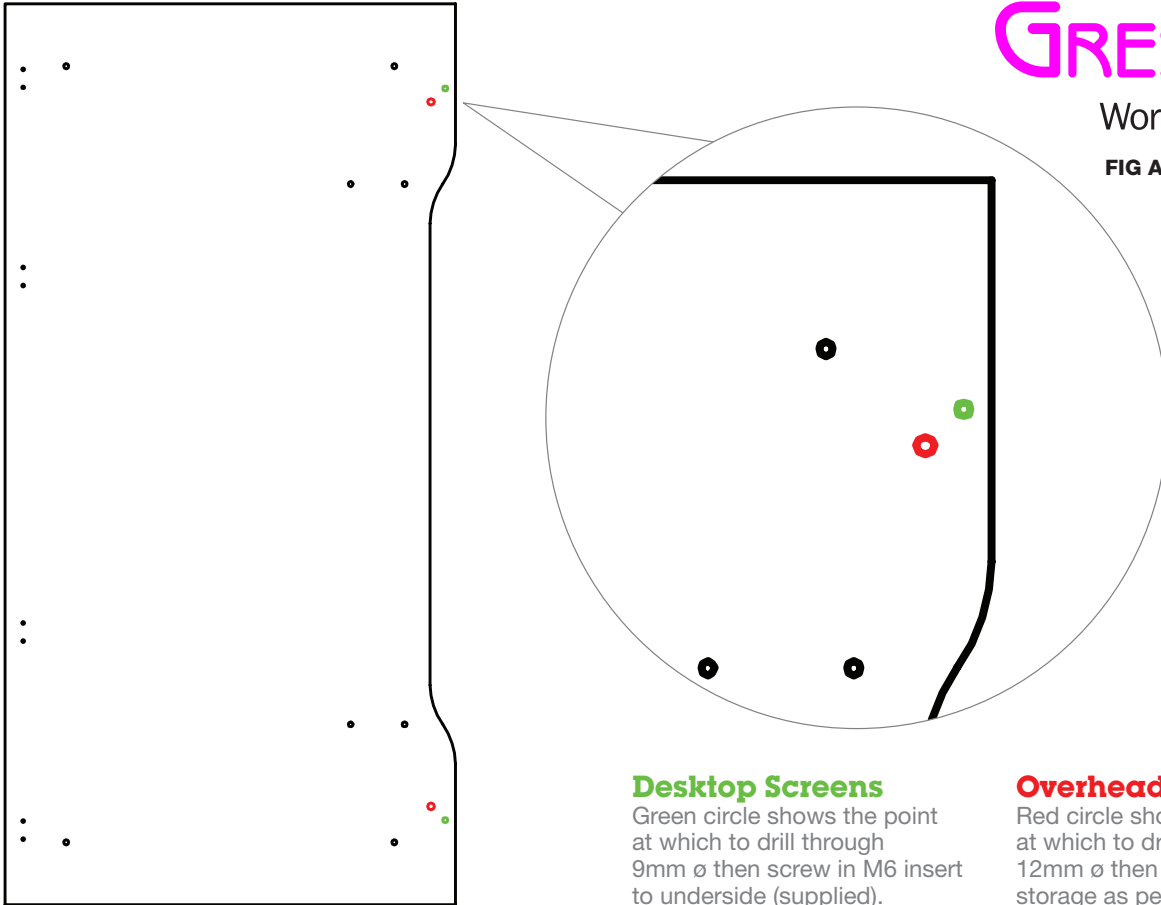


FIG A. (TYP.)



Desktop Screens

Green circle shows the point at which to drill through 9mm \varnothing then screw in M6 insert to underside (supplied).

Overhead Storage

Red circle shows the point at which to drill through 12mm \varnothing then fix overhead storage as per Bench² Fixed Top.

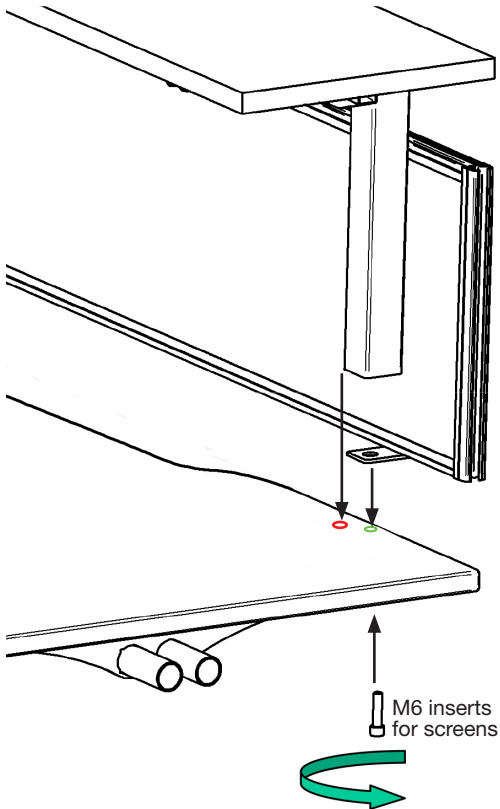
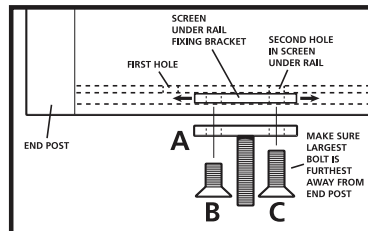
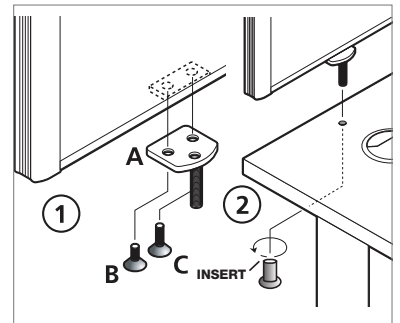


FIG B.



IMPORTANT: Make sure you insert largest bolt C through hole furthest away from end post (second along).

FIG C.



Screens

Stage one

Drill through 9mm \varnothing underside of top as shown (see Fig. A) (Please take care when drilling to avoid damage to the top).

Stage two

Screw in M6 inserts.

Stage three

Fasten screens - bolt through inserts using M6 bolts both supplied with VBS04 brackets.

Storage

Stage one

Drill through 12mm \varnothing underside of top as shown (see Fig. A) (Please take care when drilling to avoid damage to the top).

Stage two

Fix overhead storage as per standard Bench Fixed Top.

