



GRESHAM



PLATINUM MESH

PRODUCT DATA SPECIFICATION



GRESHAM

PLATINUM MESH

PRODUCT DATA SPECIFICATION

Platinum Mesh offers all of the features and ergonomic Benefits of the Platinum Ergo whilst providing a modern Mesh back.

Materials

Seat boards are produced from laminated plywood with pre-fitted Threaded 'T' Nuts for accurate mounting points.

The boards are covered with CMHR (Combustion Modified High Resilience) Flexible Polyurethane 'Reflex' foam for comfort, longevity and compliance to Flammability requirements.

Backs consist of a two-part, injection moulded glass-filled Polypropylene frame that encapsulates a Polyester fabric mesh. This offers comfort and support to the user's back whilst providing breathability. They are also fitted with an integral lumbar support, which can be adjusted vertically to suit individual user's proportions and adds comfort whilst seated. This has an injection moulded Polypropylene body which is covered with foam and utilizes a similar mesh upholstery as the back.

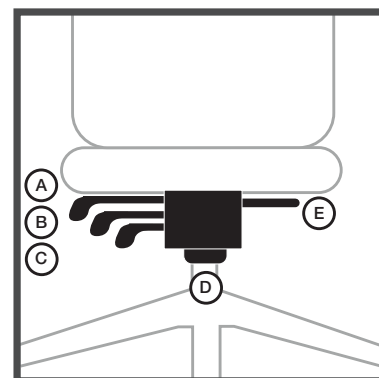
Structural elements such as mechanisms, back bars are manufactured in steel. These are produced from various sections for strength and finished with an Epoxy Powder Coated covering.

Considerations

- Optional Headrest
- Adjustable Back Rest
- Adjustable, soft touch lumbar pad.
- Optional arms inc. 4D (Height, width & sliding/rotating pad)
- Optional sliding seat
- Optional Aluminium five star base.

Technical Details

| Model | PMH/3 | PMH3A1 | PMH/3A8 | PMH/3A13 | PMH/3A4D |
|---------------|-----------|-----------|-----------|-----------|-----------|
| OA Height | 1080-1320 | 1080-1320 | 1080-1320 | 1080-1320 | 1080-1320 |
| OA Width | 660 | 660 | 660 | 660 | 660 |
| OA Depth | 760 | 760 | 760 | 760 | 760 |
| OA Arm Height | 660-840 | 660-840 | 660-840 | 660-840 | 660-840 |
| Seat Height | 440-540 | 440-540 | 440-540 | 440-540 | 440-540 |
| Seat Width | 520 | 520 | 520 | 520 | 520 |
| Seat Depth | 470 | 470 | 470 | 470 | 470 |



MECH 3

- A - Seat Height Adjustment
- B - Seat Tilt
- C - Back Angle Adjustment / Lock
- D - Mechanism Tension Adjustment
- E - Seat Depth Adjustment (Optional)

Environment

Conformity

Quality

98% Recyclable

Maximum Load Per Seat

Fabric Choice

Guarantee