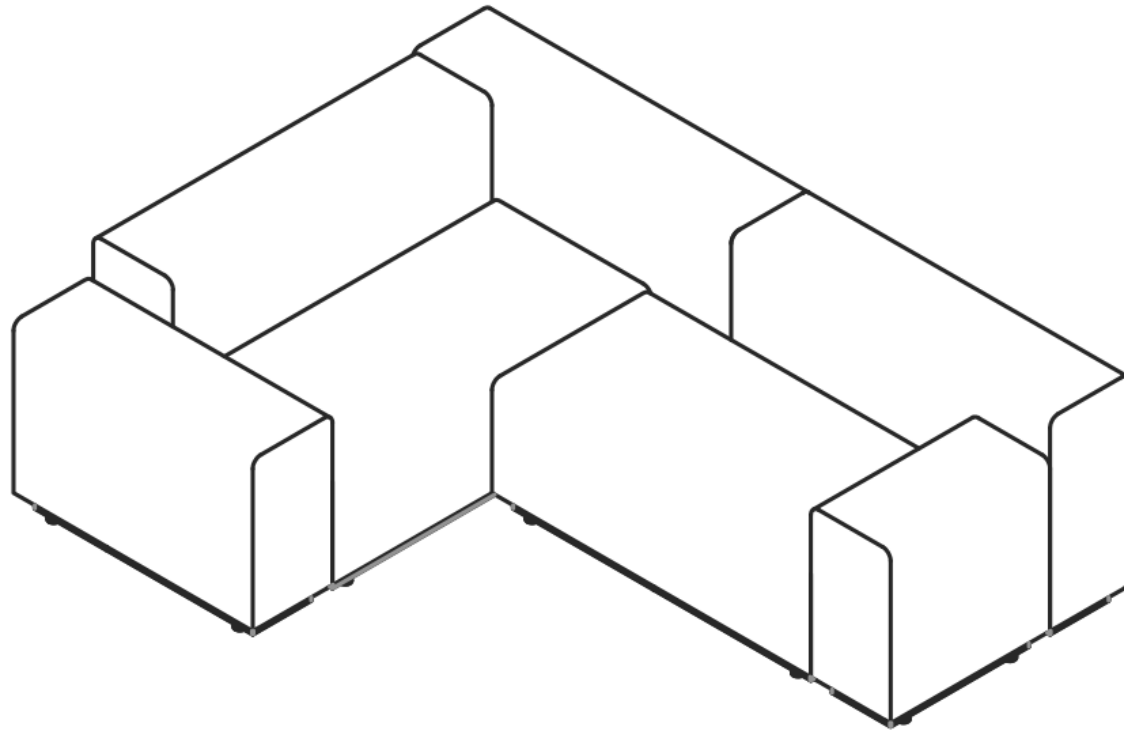
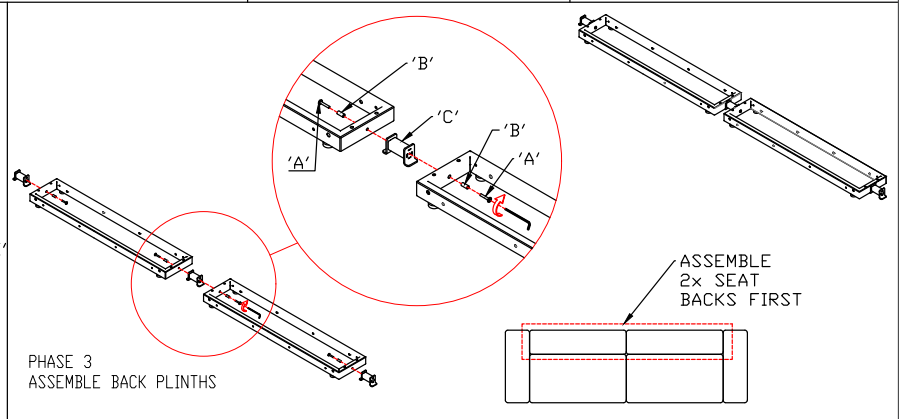
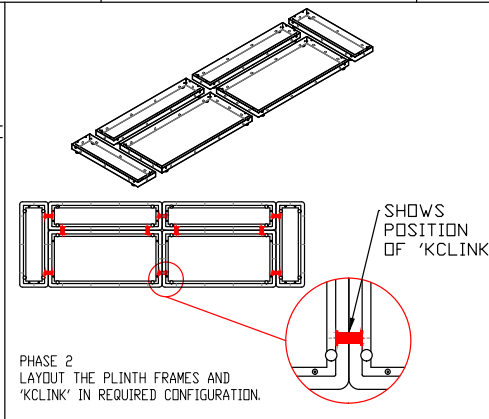
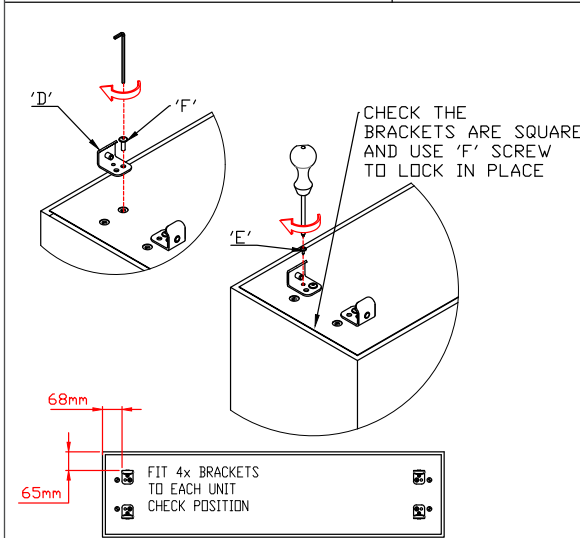
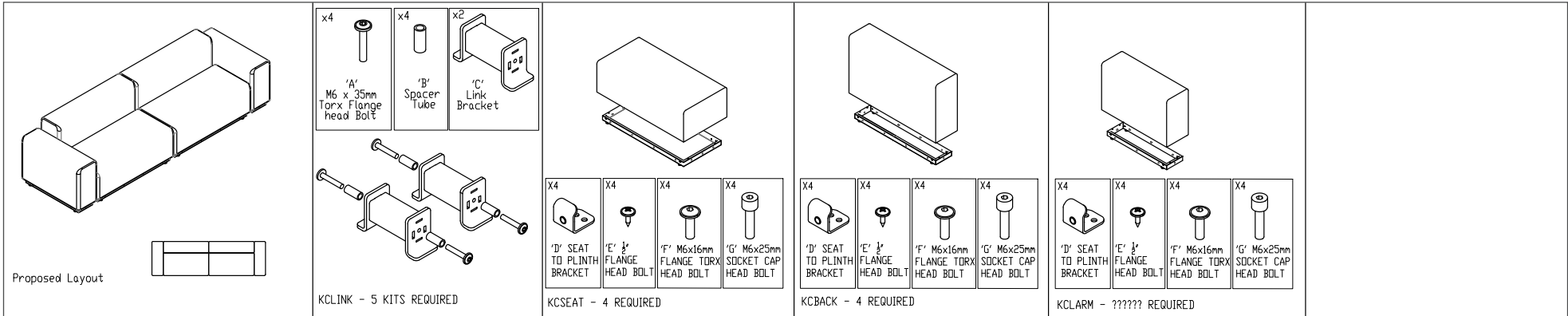




GRESHAM



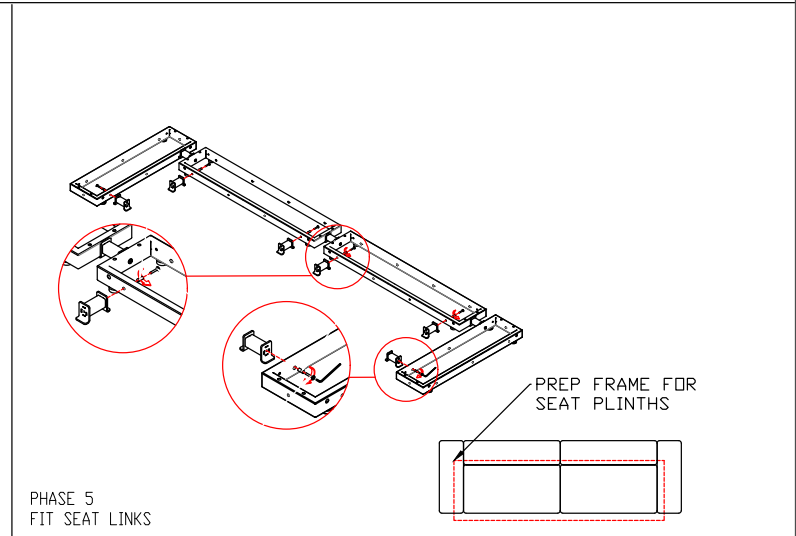
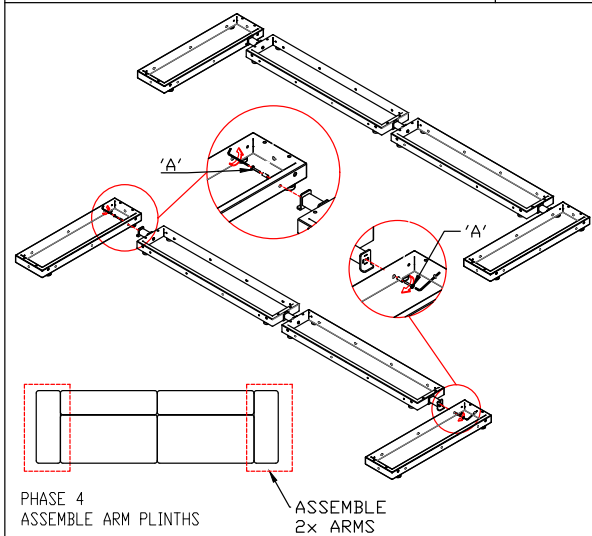
KULTURE CAPALDI
ASSEMBLY INSTRUCTIONS

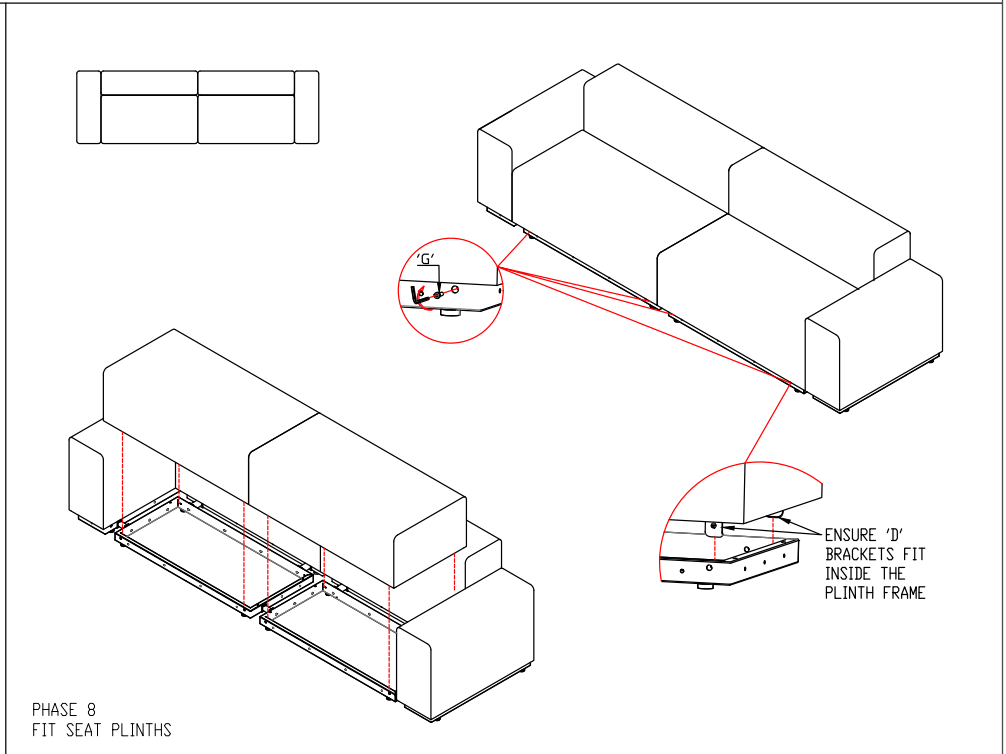
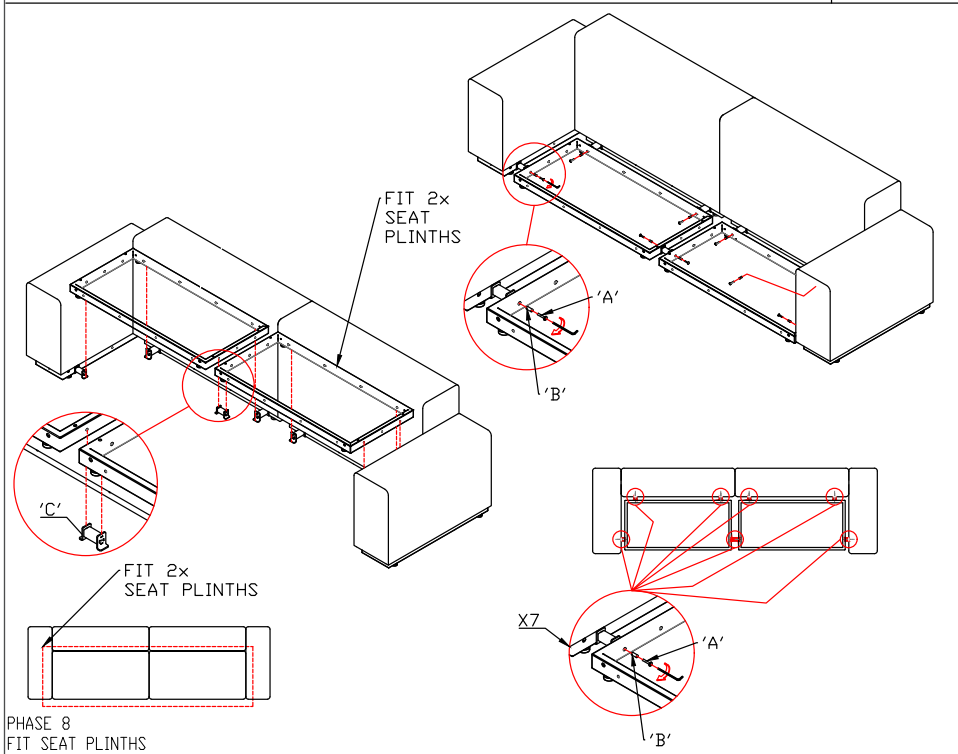
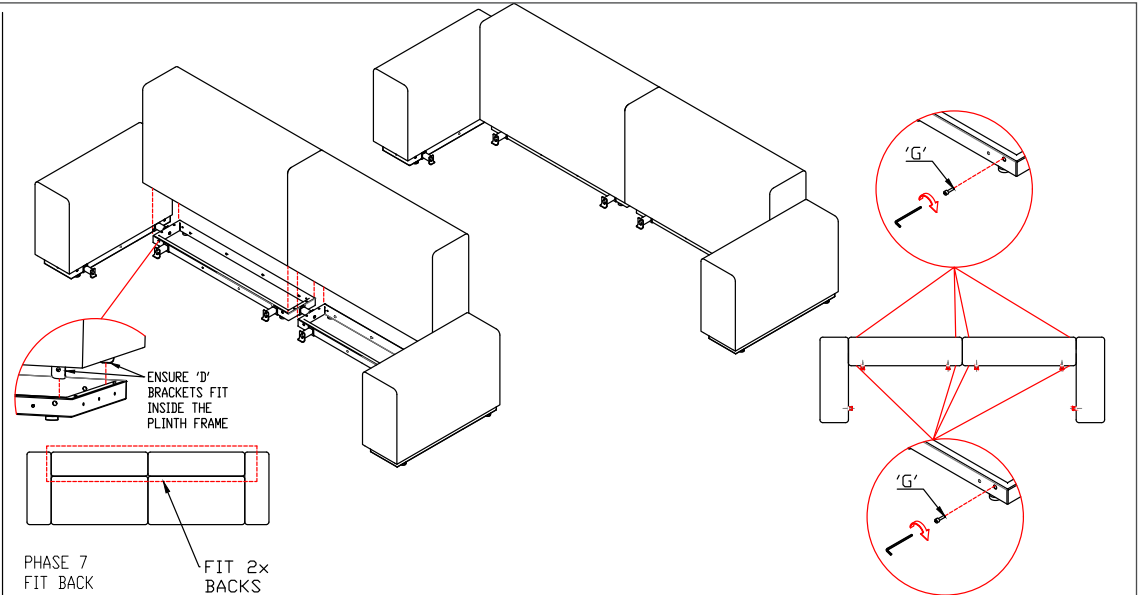
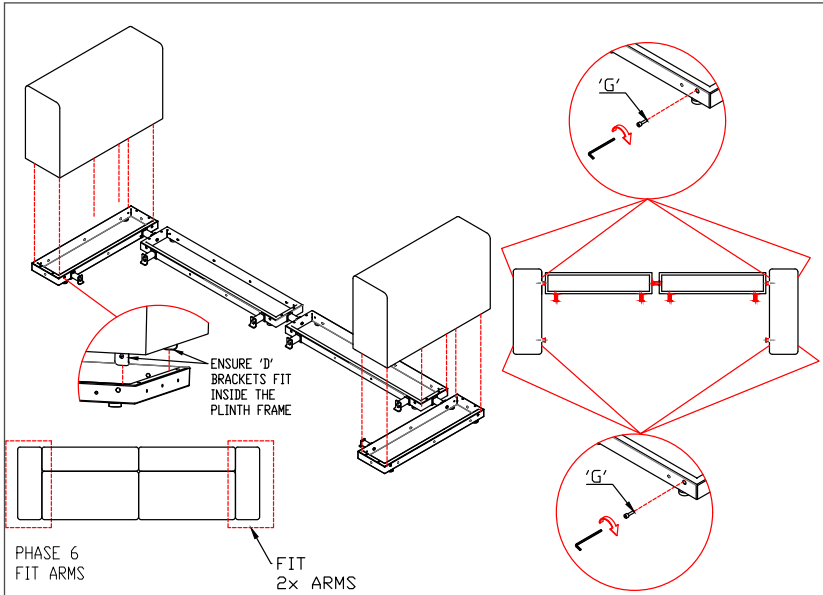


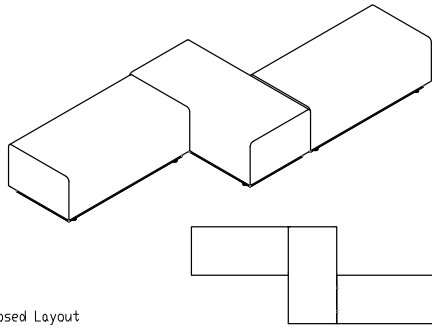
Minimum 2x People required to assemble this product

Tools Required

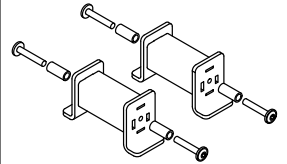
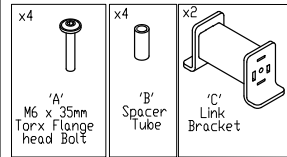
- Posi Drive Screwdriver
- 4mm A/F allen key



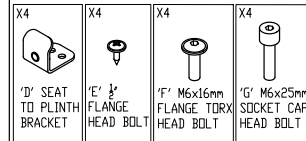
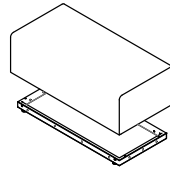




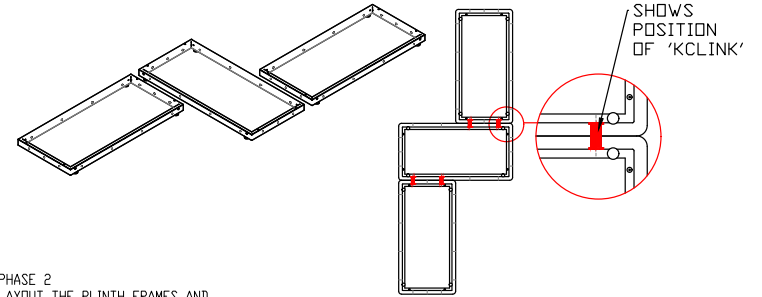
Proposed Layout



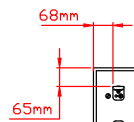
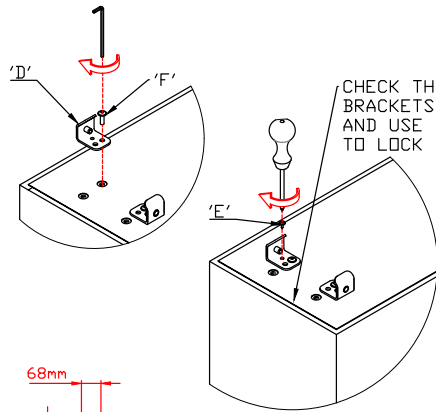
KCLINK - 2 KITS REQUIRED



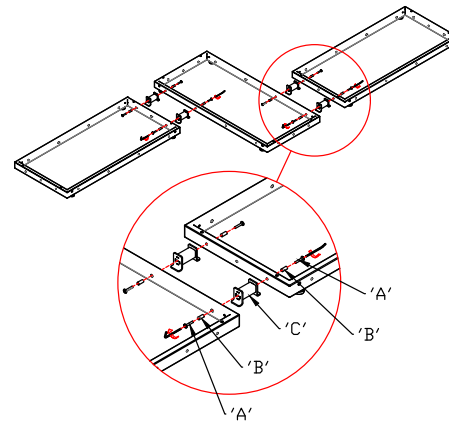
KCSEAT - 3 REQUIRED



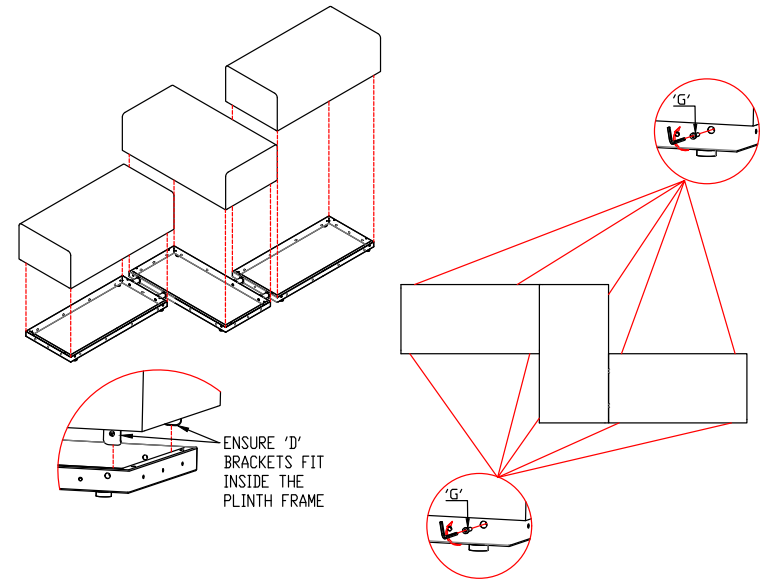
PHASE 2
LAYOUT THE PLINTH FRAMES AND
'KCLINK' IN REQUIRED CONFIGURATION.



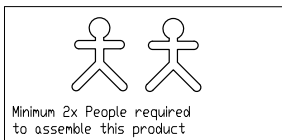
PHASE 1
PREPARE SEATS, AND BACKS BY
FITTING SEAT TO PLINTH BRACKETS



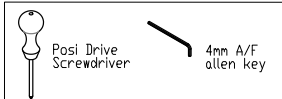
PHASE 2
FIT 'KCLINK's



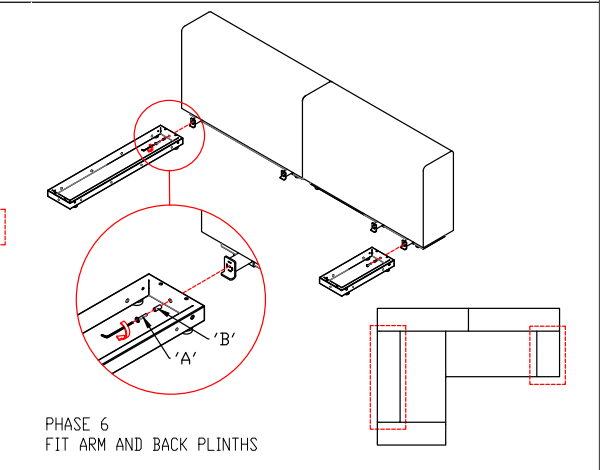
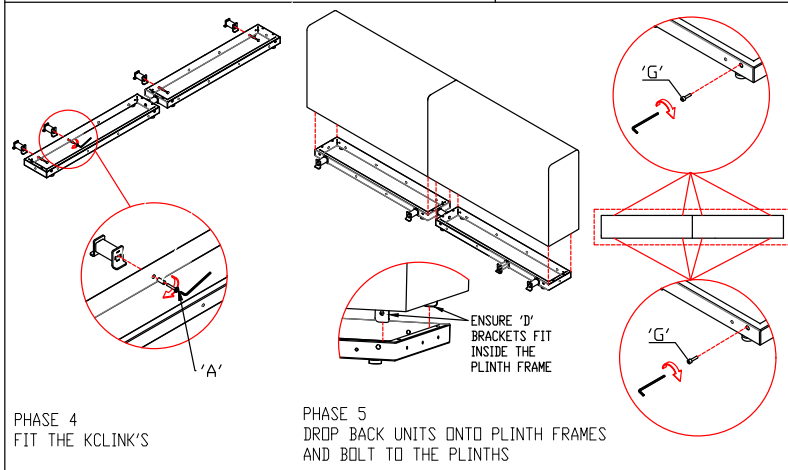
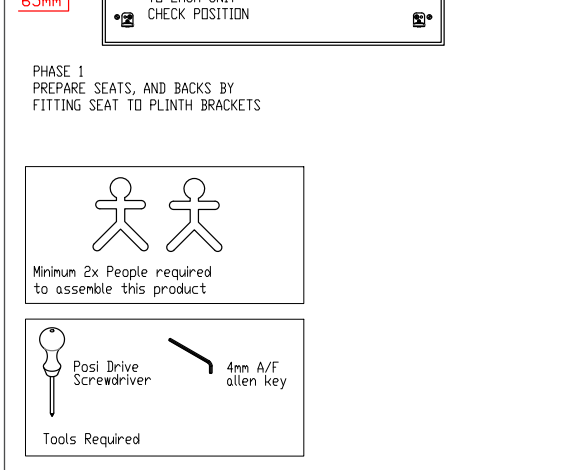
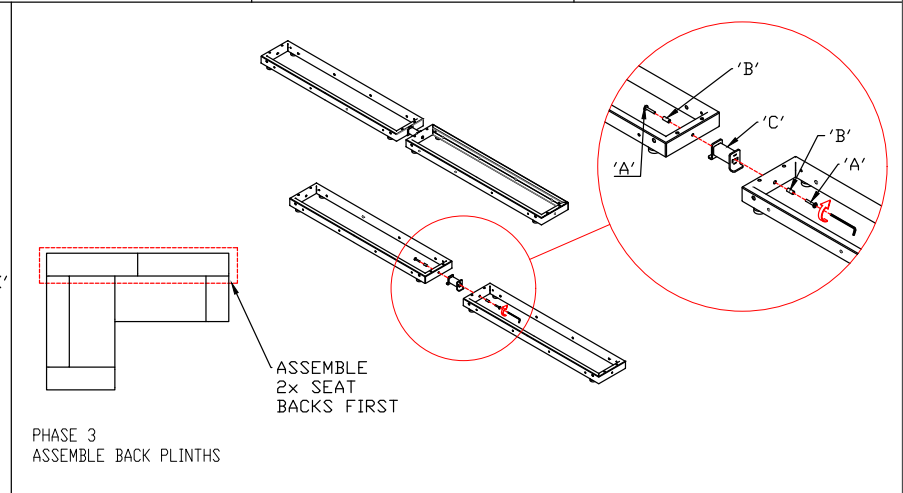
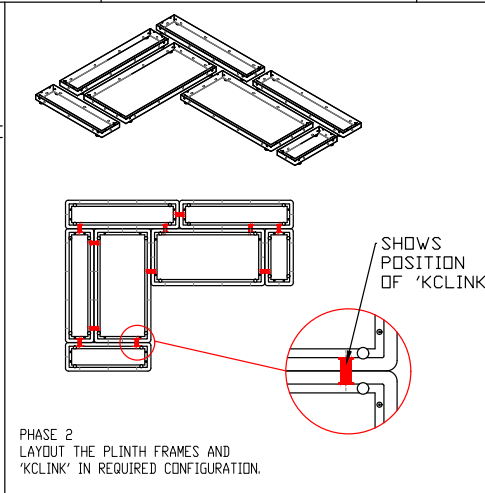
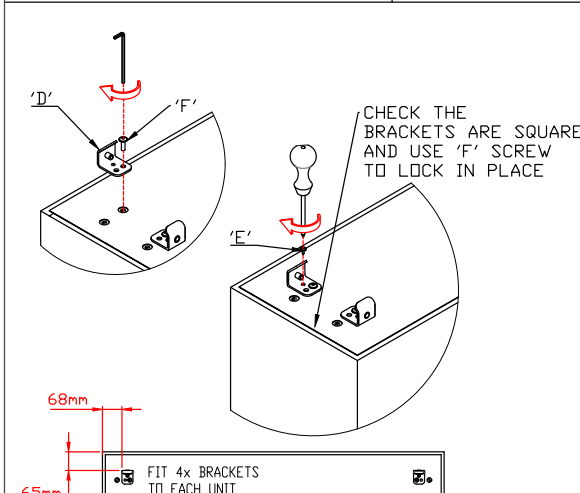
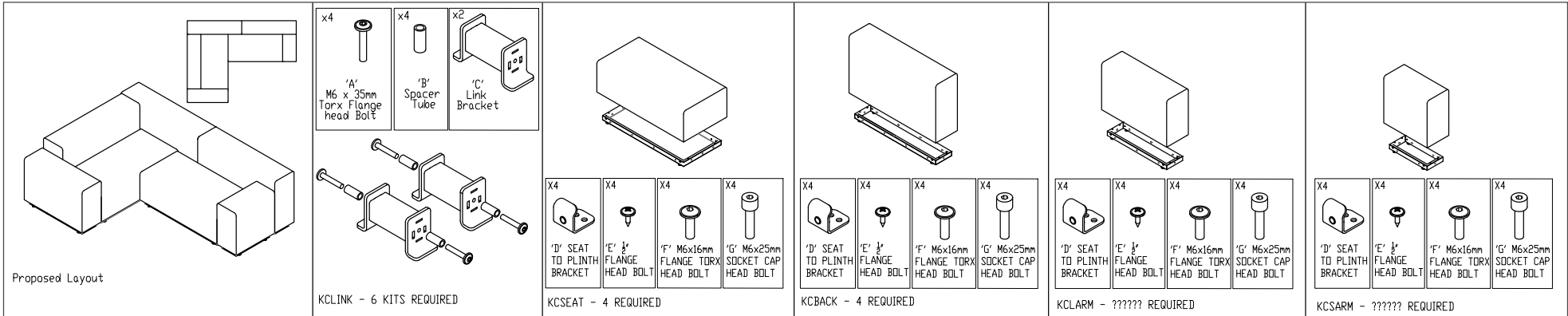
PHASE 3
DROP SEATS INTO PLACE AND FIT TO PLINTHS

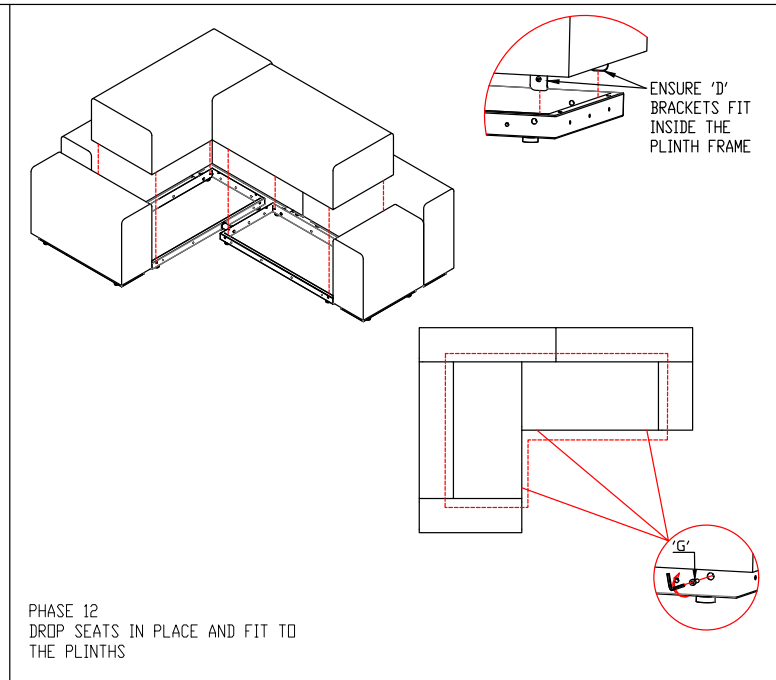
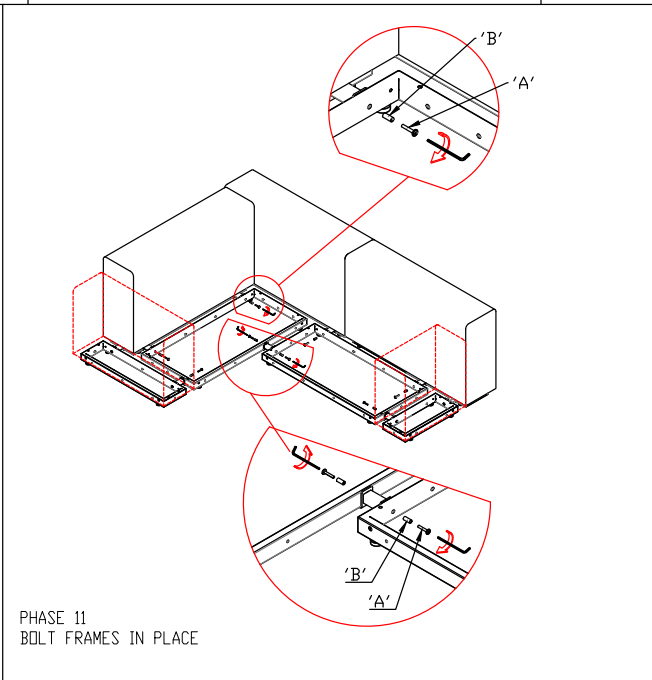
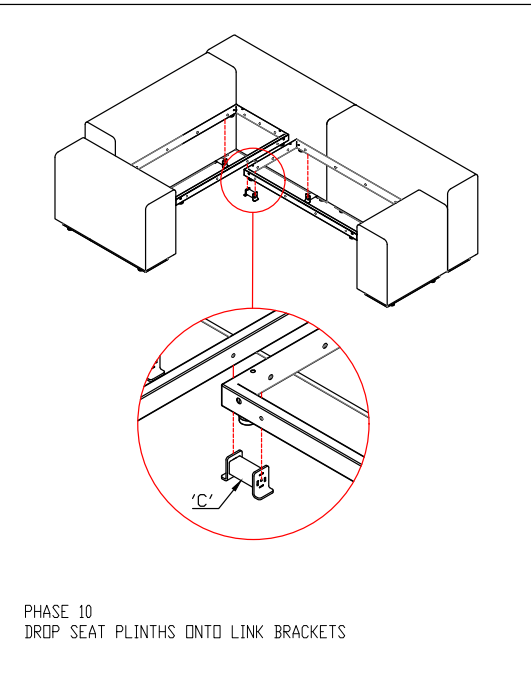
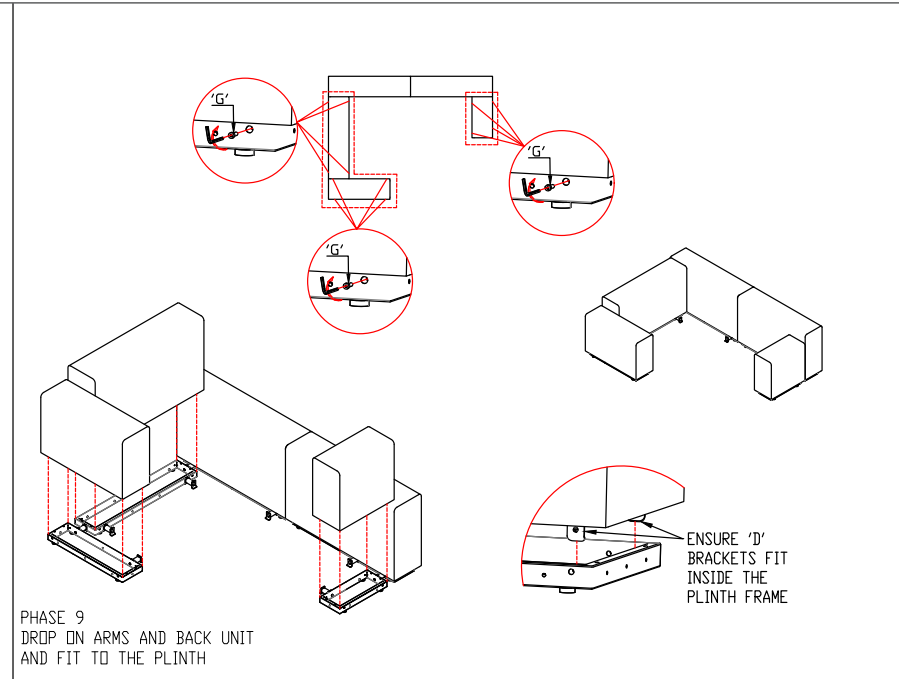
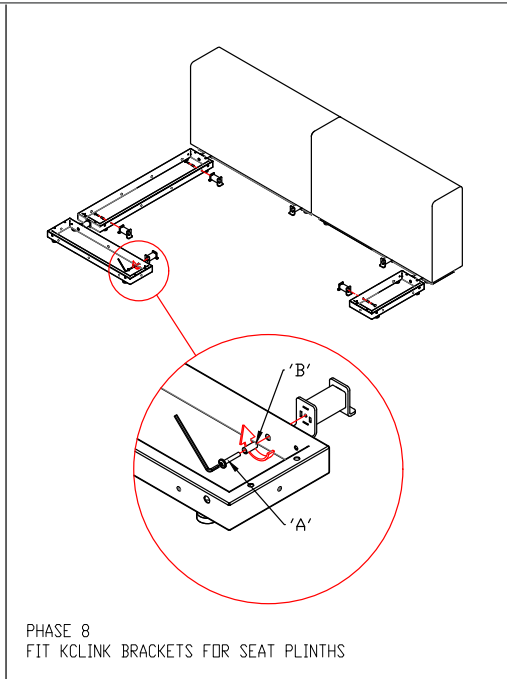
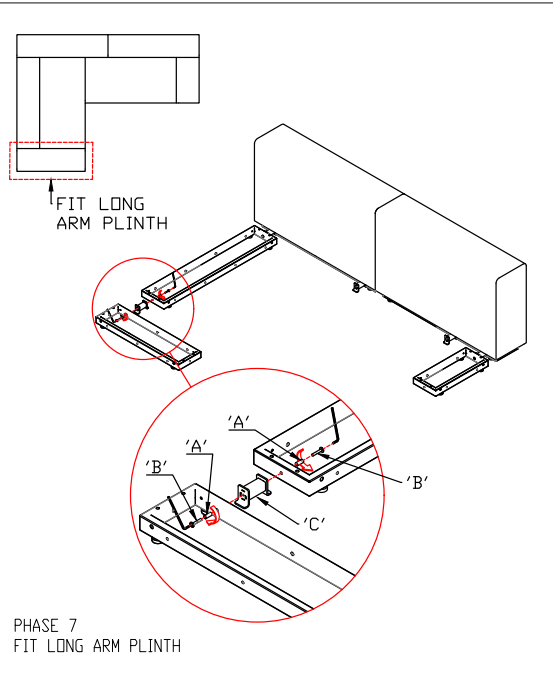


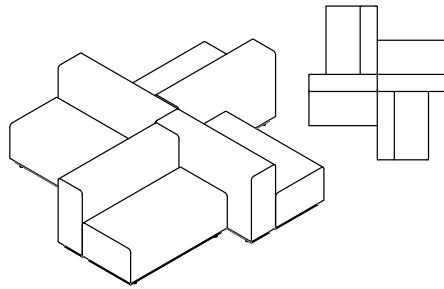
Minimum 2x People required
to assemble this product



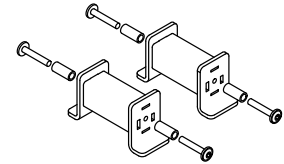
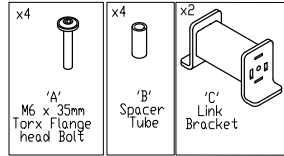
Tools Required



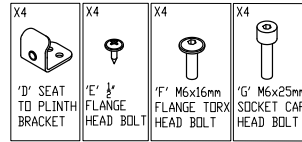
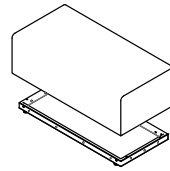




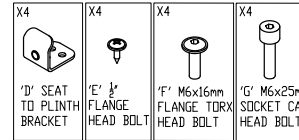
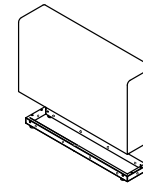
Proposed Layout



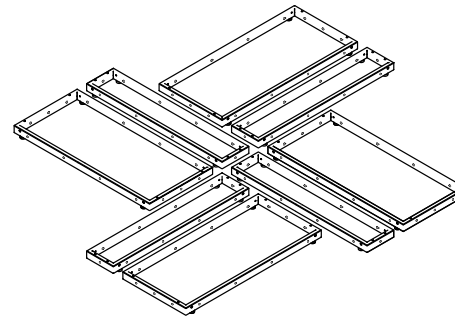
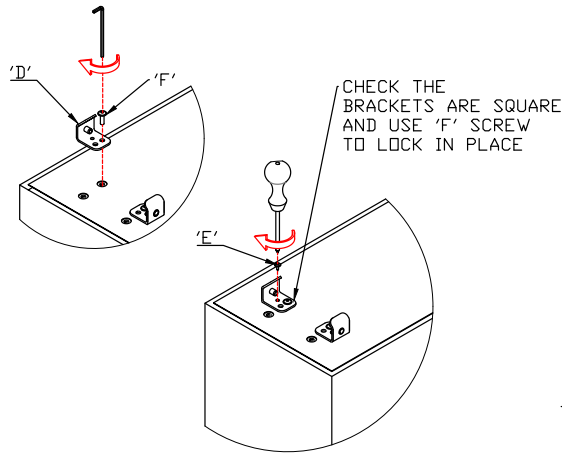
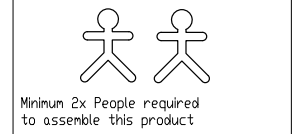
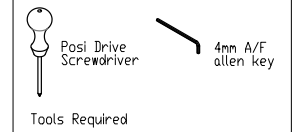
KCLINK - 6 KITS REQUIRED



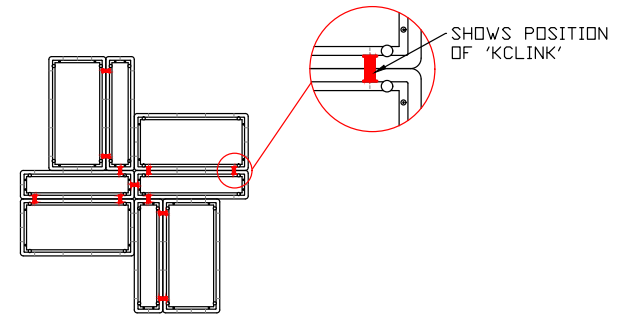
KCSEAT - 4 REQUIRED



KCBACK - 4 REQUIRED

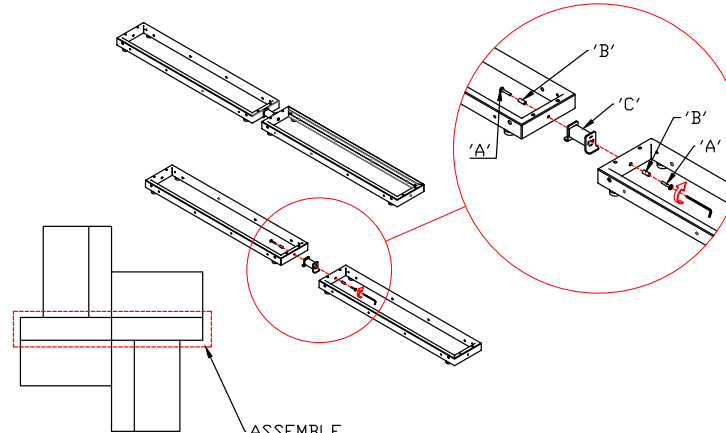


PHASE 2
LAYOUT THE PLINTH FRAMES AND
'KCLINK' IN REQUIRED CONFIGURATION.

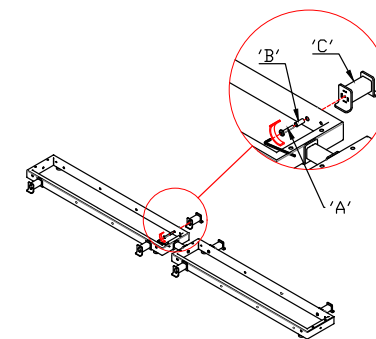


FIT 4x BRACKETS
TO EACH UNIT
CHECK POSITION

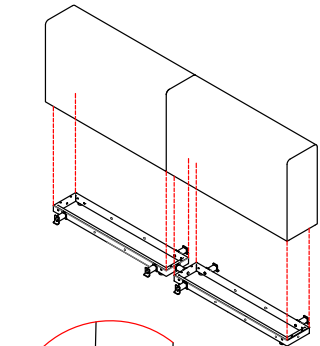
PHASE 1
PREPARE SEATS, AND BACKS BY
FITTING SEAT TO PLINTH BRACKETS



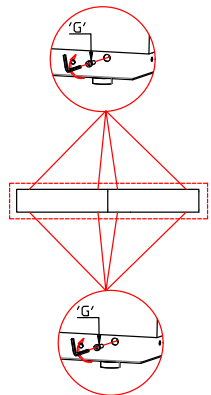
PHASE 3
ASSEMBLE BACK PLINTHS



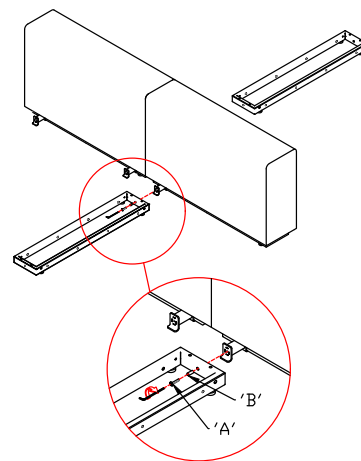
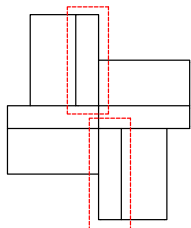
PHASE 4
FIT KCLINK'S TO FRAME



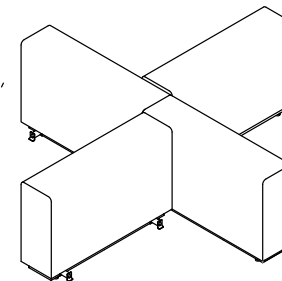
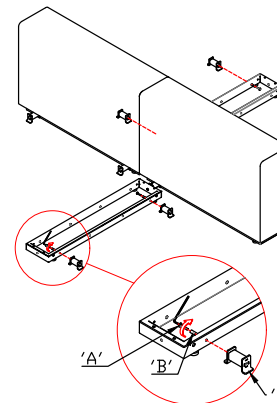
ENSURE 'D' BRACKETS FIT INSIDE THE PLINTH FRAME



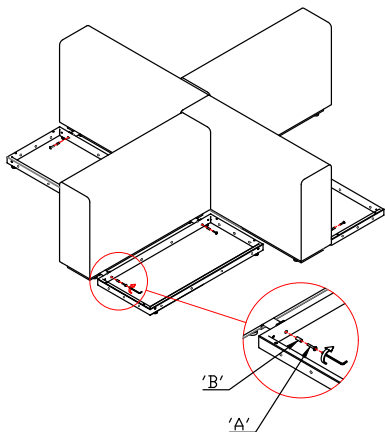
PHASE 5
DROP BACK UNITS ONTO PLINTH FRAMES
AND BOLT SEAT ASSEMBLIES TO THE PLINTHS



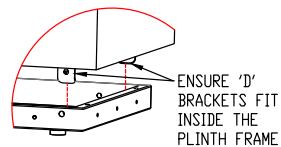
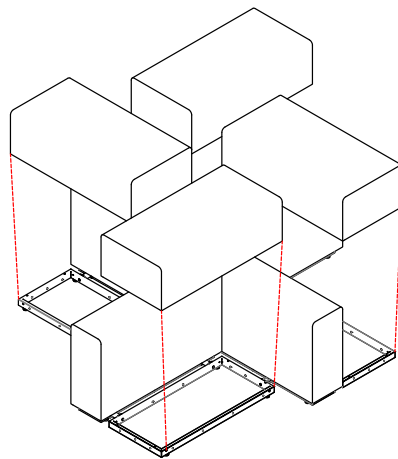
PHASE 6
FIT PERPENDICULAR
BACK PLINTHS



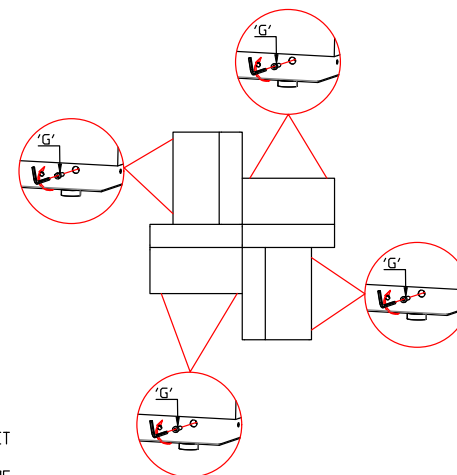
PHASE 7
FIT THE KCLINK'S READY FOR
SEAT FRAMES

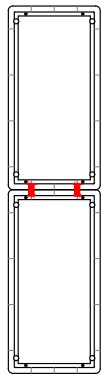


PHASE 8
FIT THE SEAT FRAMES



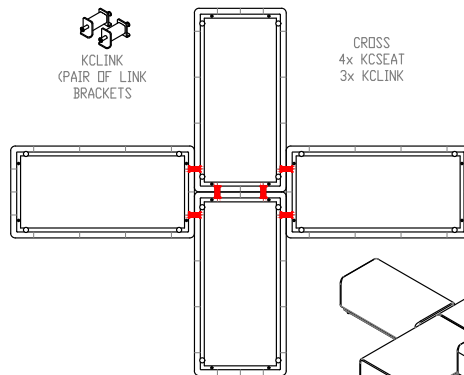
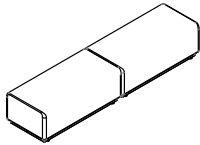
PHASE 9
DROP SEAT UNITS ONTO PLINTH FRAMES
AND BOLT SEAT ASSEMBLIES TO THE PLINTHS





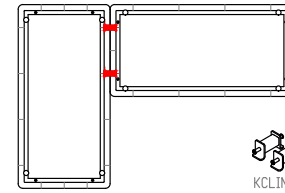
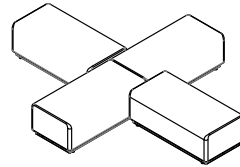
IN LINE
2x KCSEAT
1x KCLINK

KCLINK
(PAIR OF LINK
BRACKETS)

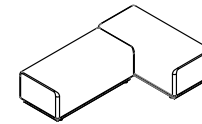


KCLINK
(PAIR OF LINK
BRACKETS)

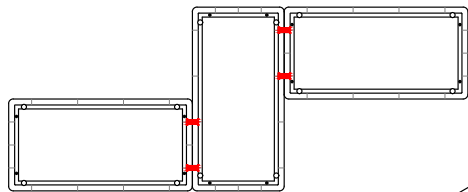
CROSS
4x KCSEAT
3x KCLINK



KCLINK
(PAIR OF LINK
BRACKETS)

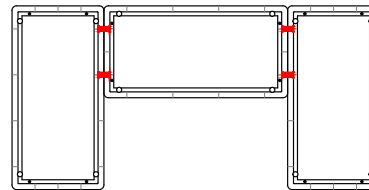
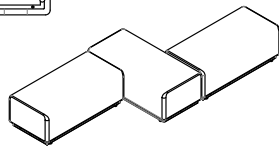


CORNER
2x KCSEAT
1x KCLINK



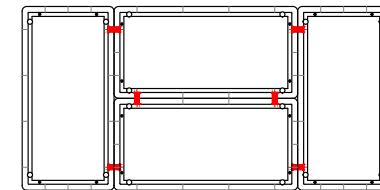
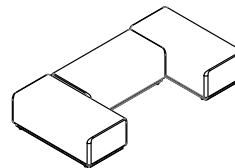
KCLINK
(PAIR OF LINK
BRACKETS)

ZIG ZAG
3x KCSEAT
2x KCLINK



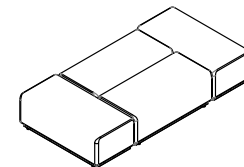
KCLINK
(PAIR OF LINK
BRACKETS)

'U' SHAPE
3x KCSEAT
2x KCLINK



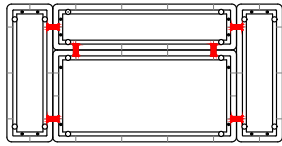
KCLINK
(PAIR OF LINK
BRACKETS)

BLOCK
4x KCSEAT
3x KCLINK



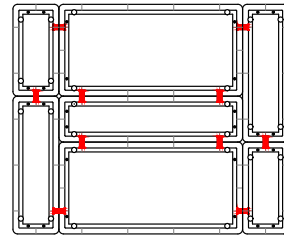
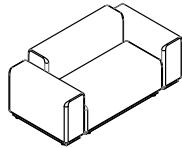
SUGGESTED LINK BRACKET POSITIONS SEATS ONLY

002 001 001



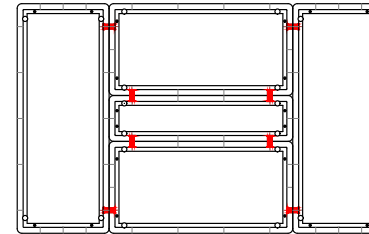
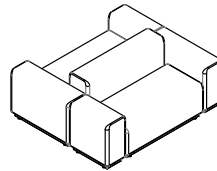
KCLINK
(PAIR OF LINK
BRACKETS)

SOFA
1x KCSEAT
1x KCBACK
2x KCLARM
3x KCLINK



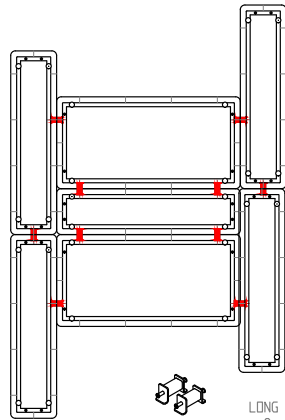
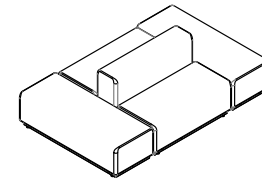
KCLINK
(PAIR OF LINK
BRACKETS)

BACK TO BACK SOFA
2x KCSEAT
1x KCBACK
2x KCLARM
2x KCSARM
3x KCLINK



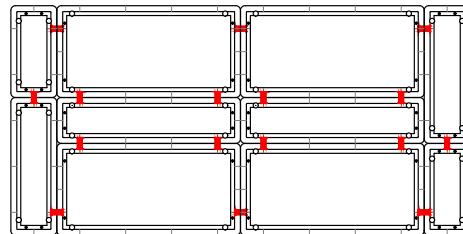
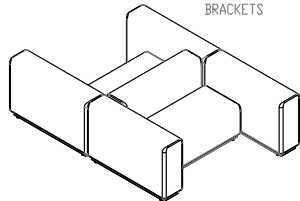
KCLINK
(PAIR OF LINK
BRACKETS)

ISLAND SOFA
4x KCSEAT
1x KCBACK
4x KCLINK



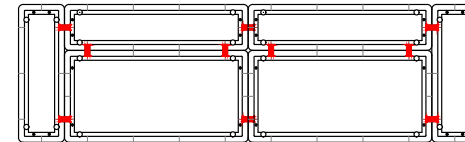
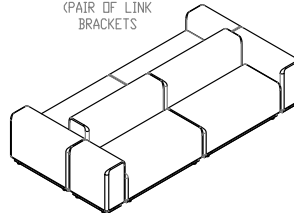
KCLINK
(PAIR OF LINK
BRACKETS)

LONG ARM SOFA
2x KCSEAT
5x KCBACK
5x KCLINK



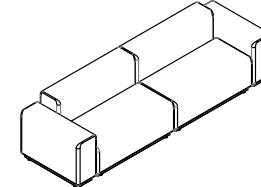
KCLINK
(PAIR OF LINK
BRACKETS)

DOUBLE BACK TO BACK SOFA
4x KCSEAT
2x KCBACK
2x KCLARM
2x KCSARM
8x KCLINK



KCLINK
(PAIR OF LINK
BRACKETS)

DOUBLE SOFA
2x KCSEAT
2x KCBACK
2x KCLARM
5x KCLINK

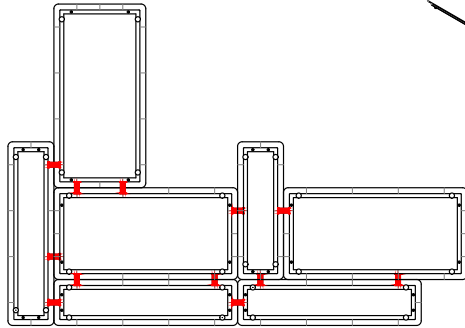
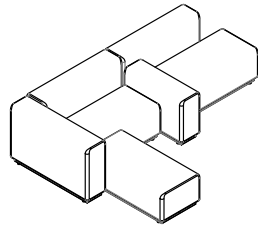


SUGGESTED LINK BRACKET POSITIONS SOFAS AND ISLANDS



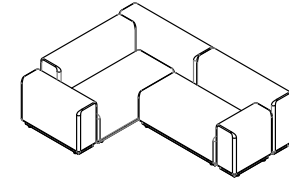
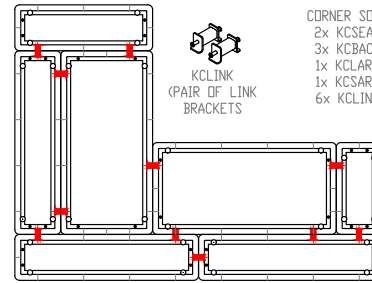
KLINK
(PAIR OF LINK
BRACKETS)

CORNER SOFA
3x KCSEAT
3x KCBACK
1x KCLARM
6x KCLINK

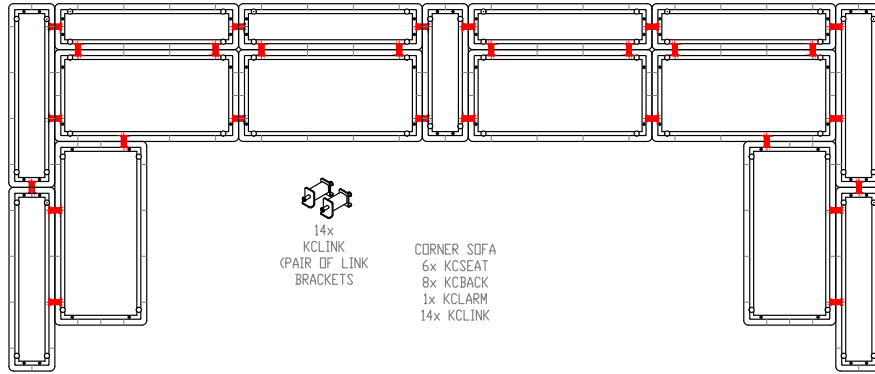


KLINK
(PAIR OF LINK
BRACKETS)

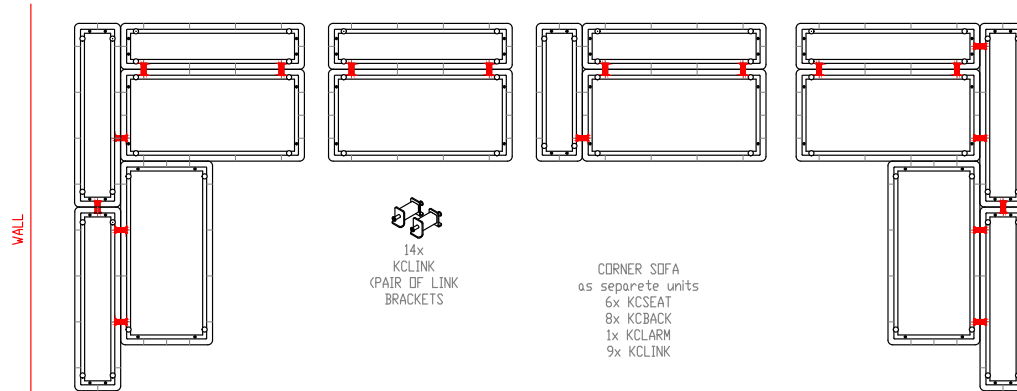
CORNER SOFA
2x KCSEAT
3x KCBACK
1x KCLARM
1x KCSARM
6x KCLINK



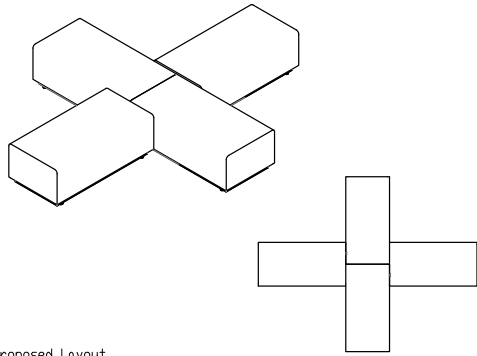
SUGGESTED LINK BRACKET POSITIONS ISLANDS AND CORNERS ONLY



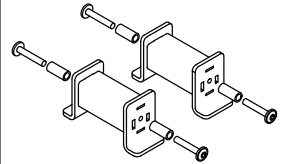
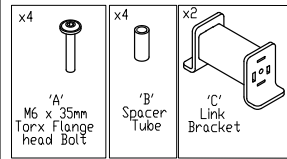
WALL



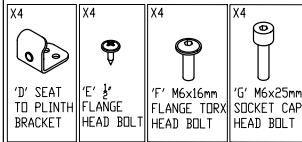
NOTE
REDUCED NUMBER OF LINK BRACKETS
UNITS WILL NOT BE LINKED AND MAY SEPARATE AND MOVE APART.



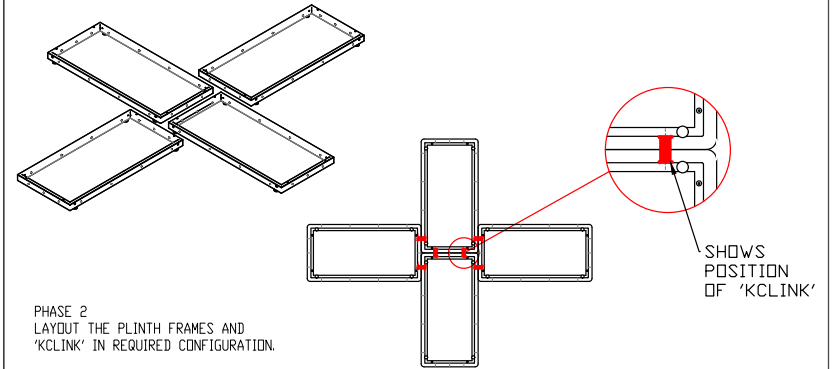
Proposed Layout



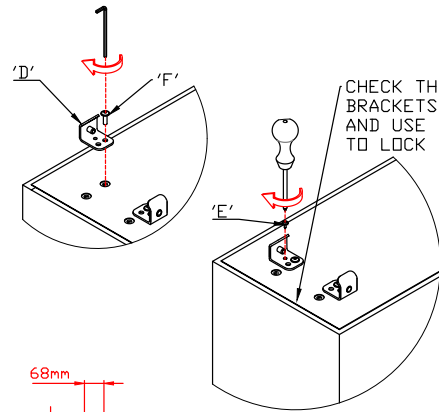
KCLINK - 2 KITS REQUIRED



KCSEAT - 3 REQUIRED



PHASE 2
LAYOUT THE PLINTH FRAMES AND 'KCLINK' IN REQUIRED CONFIGURATION.



CHECK THE BRACKETS ARE SQUARE AND USE 'F' SCREW TO LOCK IN PLACE

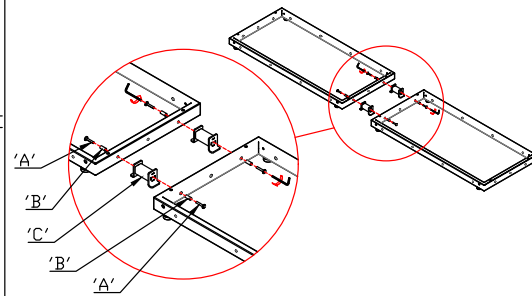
68mm
65mm

FIT 4x BRACKETS TO EACH UNIT
CHECK POSITION

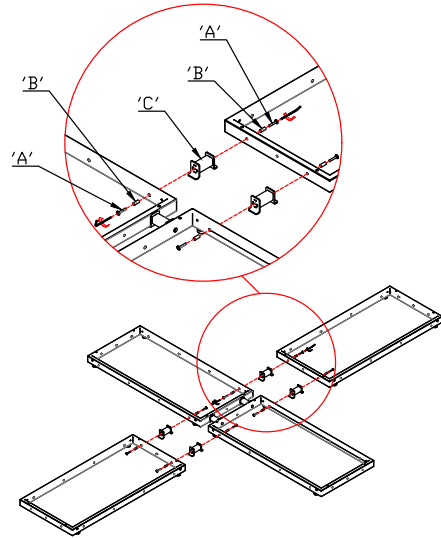
PHASE 1
PREPARE SEATS, AND BACKS BY FITTING SEAT TO PLINTH BRACKETS

Minimum 2x People required to assemble this product

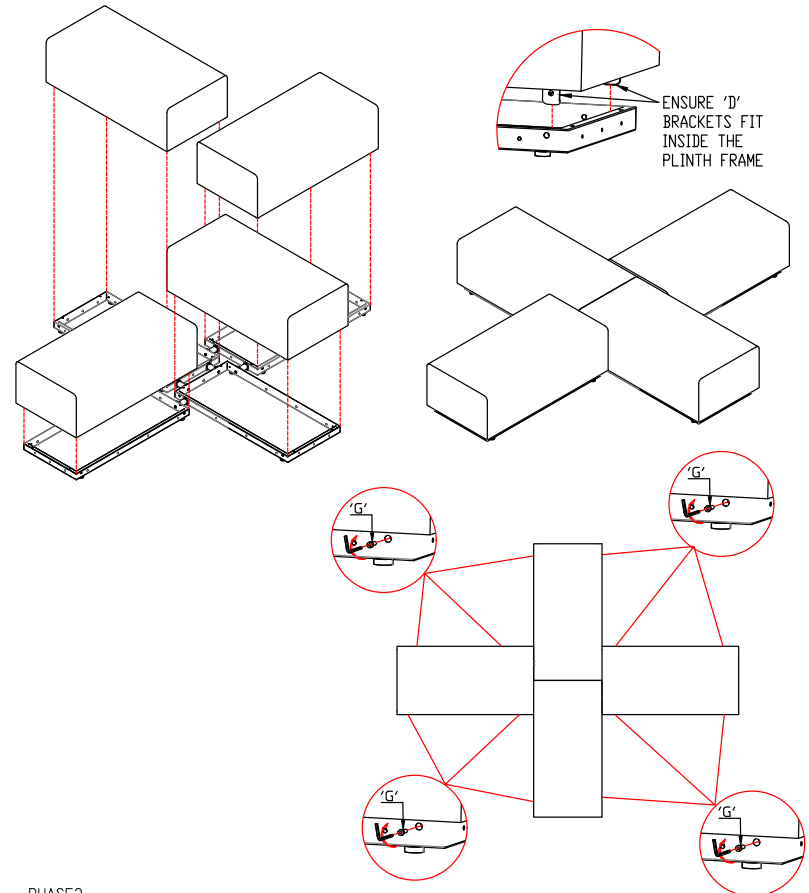
Tools Required



PHASE 2
FIT 'KCLINK's TO LINK FIRST 2 FRAMES



PHASE 3
FIT 'KCLINK's TO LINK CROSS FRAMES



PHASE 3
DROP SEATS INTO PLACE AND FIT TO PLINTHS

ENSURE 'D' BRACKETS FIT INSIDE THE PLINTH FRAME

SHOWS POSITION OF 'KCLINK'



GRESHAM

GRESHAM OFFICE FURNITURE

Platinum Park, Lynstock Way, Bolton BL6 4SA
Tel: 01204 664422 • Fax: 01204 664433
Email: info@gof.co.uk

65 Clerkenwell Road, London EC1R 5BL
Tel: 020 7242 5709
Email: londonshowroom@gof.co.uk

www.gof.co.uk