



GRESHAM



TAKE OFF EXECUTIVE

PRODUCT DATA SPECIFICATION



GRESHAM

TAKE OFF EXECUTIVE

PRODUCT DATA SPECIFICATION

Take Off Executive is the perfect task chair to deliver both dynamism and adaptability.

Materials

Seat and back boards are produced from laminated plywood with pre-fitted threaded 'T' Nuts' for accurate mounting points.

The boards are covered with CMHR (Combustion Modified High Resilience) flexible Polyurethane foam for comfort and compliance to flammability requirements.

The seat and back boards are upholstered in fabric which is available in a wide selection of colours, patterns and weaves. These assemblies are then trimmed with Polypropylene seat and back pans to finish the product.

Structural elements, such as mechanisms, back bars or side chair frames are manufactured in steel. These are produced from various tubular or flat sheet sections and finished in either an epoxy powder coating or chrome finish depending upon the model.

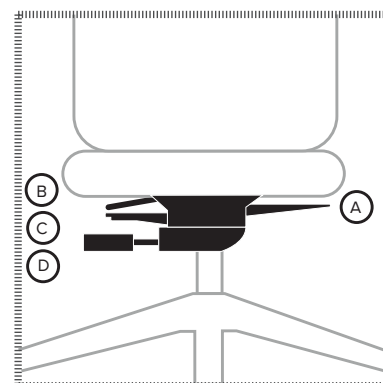
Considerations

- Task chair available with optional headrest
- Standard product available with leather upholstery.
- Optional arms
- Optional polished Aluminium base

Technical Details

| Model | TO1 | TO2 | TO3 | TO4 | TO5 | TO6 | TO7 | TO8 |
|---------------|------------|------------|------------|------------|------------|------------|------------|------------|
| OA Height | 1225-1400 | 1225-1400 | 1225-1400 | 1225-1400 | 1225-1400 | 1225-1400 | 1225-1400 | 1225-1400 |
| OA Width | 620 | 620 | 620 | 620 | 620 | 620 | 620 | 620 |
| OA Depth | 680 | 680 | 680 | 680 | 680 | 680 | 695 | 695 |
| OA Arm Height | - | 700-820 | 700-790 | 680-820 | - | 700-820 | 700-790 | 680-820 |
| Seat Height | 460-560 | 460-560 | 460-560 | 460-560 | 460-560 | 460-560 | 460-560 | 460-560 |
| Seat Width | 490 | 490 | 490 | 490 | 490 | 490 | 490 | 490 |
| Seat Depth | 460-570 | 460-570 | 460-570 | 460-570 | 460-570 | 460-570 | 460-570 | 460-570 |

| Model | TO10 | TO11 | TO12 | TO13 | TO14 |
|---------------|-------------|-------------|-------------|-------------|-------------|
| OA Height | 990-1200 | 990-1200 | 990-1200 | 990-1200 | 965 |
| OA Width | 620 | 620 | 620 | 620 | 600 |
| OA Depth | 680 | 680 | 680 | 680 | 650 |
| OA Arm Height | - | 700-820 | 700-790 | 680-820 | 665 |
| Seat Height | 460-560 | 460-560 | 460-560 | 460-560 | 490 |
| Seat Width | 490 | 490 | 490 | 490 | 490 |
| Seat Depth | 460-570 | 460-570 | 460-570 | 460-570 | 490 |



TO MECH

- A - Mechanism Release Handle / Position Lock
- B - Seat Depth Adjustment
- C - Seat Height Adjustment
- D - Mechanism Tension Adjustment

Environment



Conformity



Quality



98% Recyclable



Maximum Load
Per Seat



Fabric Choice



Guarantee

