



GRESHAM



SANTIS SQUARED

PRODUCT DATA SPECIFICATION



GRESHAM

SANTIS SQUARED

PRODUCT DATA SPECIFICATION

An exquisitely proportioned chair with superb posture design and engineering quality.

Materials

Seat boards are produced from laminated plywood with pre-fitted threaded 'T' Nuts' for accurate mounting points.

The boards are covered with CMHR (Combustion Modified High Resilience) flexible Polyurethane foam for comfort and compliance to flammability requirements.

Upholstered back boards are produced from Polypropylene copolymer that is covered with a similar foam to the seats.

These are upholstered in fabric which is available in a wide selection of colours, patterns and weaves.






Mesh backs have a Polyester fabric mesh that is encapsulated within a structural, glass-filled Polypropylene frame.

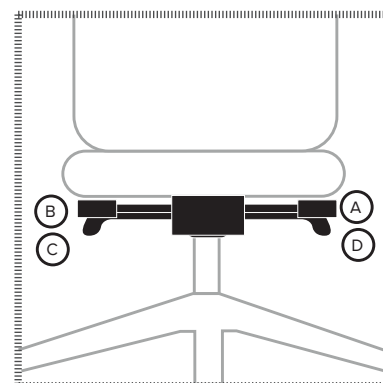
Structural elements, such as mechanisms, back bars or side chair frames are manufactured in steel. These are produced from various tubular or flat sheet sections and finished in either an epoxy powder coating or chrome finish depending upon the model.

Considerations

- Optional headrest
- Fixed backrest
- Adjustable, soft touch lumbar pad.
- Optional arms
- Optional polished Aluminium base

Technical Details

					
Model	SIS/7	SIS/7A1	SIS/7A8	SIS/7A13	SIS/7A4D
OA Height	1070-1150	1070-1150	1070-1150	1070-1150	1070-1150
OA Width	680	680	680	680	680
OA Depth	680	680	680	680	680
OA Arm Height	-	720-810	680-865	640-820	640-820
Seat Height	490-600	490-600	490-600	490-600	490-600
Seat Width	515	515	515	515	515
Seat Depth	490	490	490	490	490



MECH 7

- A - Back Adjustment Lock
- B - Back Angle Adjustment Tension
- C - Seat Height Adjustment
- D - Seat Depth Adjustment

Environment



Conformity



Quality



98% Recyclable



Maximum Load
Per Seat



Fabric Choice



Guarantee

