



GRESHAM



# SANTIS ERGO

PRODUCT DATA SPECIFICATION



GRESHAM

# SANTIS ERGO

## PRODUCT DATA SPECIFICATION

An exquisitely proportioned chair with superb posture design and engineering quality.

### Materials

Seat boards are produced from laminated plywood with pre-fitted threaded 'T' Nuts' for accurate mounting points.

The boards are covered with CMHR (Combustion Modified High Resilience) flexible Polyurethane foam for comfort and compliance to flammability requirements.

Upholstered back boards are produced from Polypropylene copolymer that is covered with a similar foam to the seats.

These are upholstered in fabric which is available in a wide selection of colours, patterns and weaves.

Mesh backs have a Polyester fabric mesh that is encapsulated within a structural, glass-filled Polypropylene frame.

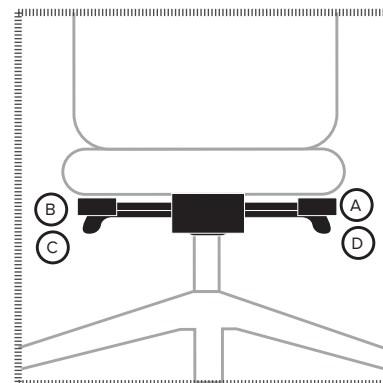
Structural elements, such as mechanisms, back bars or side chair frames are manufactured in steel. These are produced from various tubular or flat sheet sections and finished in either an epoxy powder coating or chrome finish depending upon the model.

### Considerations

- Optional headrest
- Fixed backrest
- Adjustable, soft touch lumbar pad.
- Optional arms
- Optional polished Aluminium base

### Technical Details

Model	SIE/7	SIE/7A1	SIE/7A8	SIE/7A13	SIE/7A4D
OA Height	1100-1180	1100-1180	1100-1180	1100-1180	1100-1180
OA Width	680	680	680	680	680
OA Depth	680	680	680	680	680
OA Arm Height	-	720-810	680-865	640-820	640-820
Seat Height	490-600	490-600	490-600	490-600	490-600
Seat Width	515	515	515	515	515
Seat Depth	490	490	490	490	490



### MECH 7

- A - Back Adjustment Lock
- B - Back Angle Adjustment Tension
- C - Seat Height Adjustment
- D - Seat Depth Adjustment

Environment

Conformity

Quality

98% Recyclable

Maximum Load Per Seat

Fabric Choice

Guarantee