



GRESHAM



# PLATINUM PLUS SQUARED

PRODUCT DATA SPECIFICATION



GRESHAM

# PLATINUM PLUS SQUARED

## PRODUCT DATA SPECIFICATION

An outstanding range of seating with enhanced ergonomic properties and alternative back.

### Materials

Seat boards are produced from laminated plywood with pre-fitted threaded 'T' Nuts' for accurate mounting points. The boards are covered with CMHR (Combustion Modified High Resilience) flexible Polyurethane foam for comfort and compliance to flammability requirements.

Inner back boards are produced from Polypropylene that is covered with a similar foam to the seats. These are upholstered in fabric which is available in a wide selection of colours, patterns and weaves. This assembly is covered to the rear with a Polypropylene outer back.

Structural elements, such as mechanisms, back bars or side chair frames are manufactured in steel. These are produced from various tubular or flat sheet sections and finished in either an epoxy powder coating or chrome finish depending upon the model.

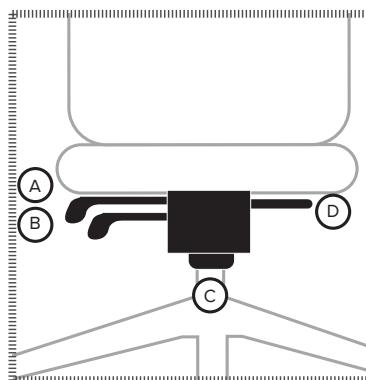
### Considerations

- Optional mechanisms
- Height adjustable backrest
- Optional arms
- Optional inflatable lumbar
- Optional seat slide for adjustable depth
- Optional polished Aluminium base
- Available with complementary cantilever side chairs

### Technical Details

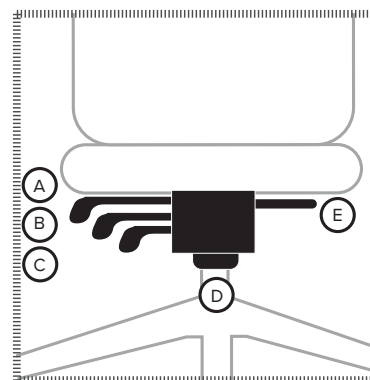
Model	PPSH/3	PPSH/3A2	PPSH/3A8	PPSH/3A13	PPSH/3A4D	PPSM/3	PPSM/3A2	PPSM/3A8
OA Height	950-1140	950-1140	950-1140	950-1140	950-1140	920-1120	920-1120	920-1120
OA Width	680	680	680	680	680	680	680	680
OA Depth	680	680	680	680	680	680	680	680
OA Arm Height	-	705-795	680-865	640-820	640-820	-	705-795	680-855
Seat Height	440-540	440-540	440-540	440-540	440-540	440-540	440-540	440-540
Seat Width	515	515	515	515	515	515	515	515
Seat Depth	490	490	490	490	490	490	490	490

Model	PPSM/3A13	PPSM/3A4D	PPSHXC	PPSMXC	PPSHXCA	PPSMXCA	PPSMD/8	PPSMD/8A2
OA Height	920-1120	920-1120	990	930	990	930	1140-1395	1140-1395
OA Width	680	680	525	525	580	580	680	680
OA Depth	680	680	600	600	600	600	680	680
OA Arm Height	640-820	640-820	-	-	650	650	-	830-1090
Seat Height	440-540	440-540	480	480	480	480	680-940	680-940
Seat Width	515	515	515	515	515	515	515	515
Seat Depth	490	490	490	490	490	490	490	490



MECH 2

- A - Seat Height Adjustment
- B - Seat & Back Angle Adjustment (Synchronized)
- C - Mechanism Tension Adjustment
- D - Seat Depth Adjustment (Optional)



MECH 3

- A - Seat Height Adjustment
- B - Seat Tilt
- C - Back Angle Adjustment / Lock
- D - Mechanism Tension Adjustment
- E - Seat Depth Adjustment (Optional)

Environment



Certification



Quality



98% Recyclable



Maximum Load Per Seat



Fabric Choice



Guarantee

