



GRESHAM



# PLATINUM PLUS ROUND

PRODUCT DATA SPECIFICATION



GRESHAM

# PLATINUM PLUS ROUND

## PRODUCT DATA SPECIFICATION

A simple, easy to use, no-nonsense chair.

### Materials

Seat boards are produced from laminated plywood with pre-fitted threaded 'T' Nuts' for accurate mounting points.

The boards are covered with CMHR (Combustion Modified High Resilience) flexible Polyurethane foam for comfort and compliance to flammability requirements.

Inner back boards are produced from Polypropylene that is covered with a similar foam to the seats. These are upholstered in fabric which is available in a wide selection of colours, patterns and weaves. This assembly is covered to the rear with a Polypropylene outer back.

Structural elements, such as mechanisms, back bars or side chair frames are manufactured in steel. These are produced from various tubular or flat sheet sections and finished in either an epoxy powder coating or chrome finish depending upon the model.

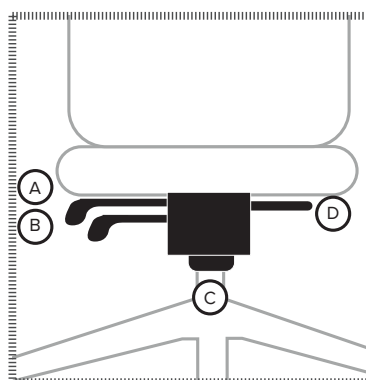
### Considerations

- Ideal for educational establishments.
- Extremely durable / robust
- Easy to use.
- Tamper-proof fittings
- Push button height adjustment

### Technical Details

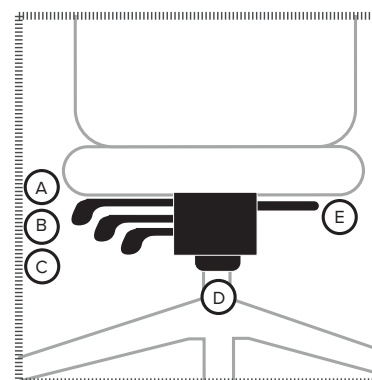
Model	PPRBH/3	PPRBH/3A2	PPRBH/3A8	PPRBH/3A13	PPRBH/3A4D	PPRBM/3	PPRBM/3A2	PPRBM/3A8
OA Height	950-1140	950-1140	950-1140	950-1140	950-1140	950-1120	950-1120	950-1120
OA Width	680	680	680	680	680	680	680	680
OA Depth	680	680	680	680	680	680	680	680
OA Arm Height	-	705-795	680-865	640-820	640-820	-	705-795	680-855
Seat Height	440-540	440-540	440-540	440-540	440-540	440-540	440-540	440-540
Seat Width	515	515	515	515	515	515	515	515
Seat Depth	490	490	490	490	490	490	490	490

Model	PPRBM/3A13	PPRBM/3A4D	PPRBHXC	PPRBMXC	PPRBHXCA	PPRBMXCA	PPRMD/8	PPRMD/8A2
OA Height	950-1120	950-1120	990	890	990	890	1140-1395	1140-1395
OA Width	680	680	525	525	580	580	680	680
OA Depth	680	680	600	600	600	600	680	680
OA Arm Height	640-820	640-820	-	-	650	650	-	830-1090
Seat Height	440-540	440-540	480	480	480	480	680-940	680-940
Seat Width	515	515	515	515	515	515	515	515
Seat Depth	490	490	490	490	490	490	490	490



MECH 2

- A - Seat Height Adjustment
- B - Seat & Back Angle Adjustment (Synchronized)
- C - Mechanism Tension Adjustment
- D - Seat Depth Adjustment (Optional)



MECH 3

- A - Seat Height Adjustment
- B - Seat Tilt
- C - Back Angle Adjustment / Lock
- D - Mechanism Tension Adjustment
- E - Seat Depth Adjustment (Optional)

Environment



Certification



Quality



98% Recyclable



Maximum Load Per Seat



Fabric Choice



Guarantee

