



GRESHAM



# MOVE UP

PRODUCT DATA SPECIFICATION



GRESHAM

# MOVE UP

## PRODUCT DATA SPECIFICATION

An outstanding range of seating available with either fabric or mesh back options.

### Materials

Seat boards are produced from laminated plywood with pre-fitted threaded 'T' Nuts' for accurate mounting points.

The boards are covered with CMHR (Combustion Modified High Resilience) flexible Polyurethane foam for comfort and compliance to flammability requirements.

Upholstered back boards are produced from Polypropylene Copolymer that is covered with a similar foam to the seats. These are upholstered in fabric which is available in a wide selection of colours, patterns and weaves.

Mesh backs have a Polyester fabric mesh that is encapsulated within a structural, glass-filled Polyamide frame.

Structural elements, such as mechanisms, back bars or side chair frames are manufactured in steel. These are produced from various tubular or flat sheet sections and finished in either an epoxy powder coating or chrome finish depending upon the model.

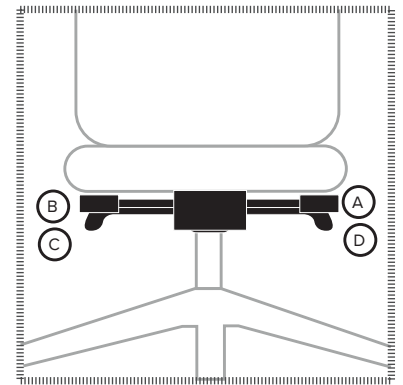
### Considerations

- Optional headrest
- Height adjustable backrest
- Optional arms
- Optional polished Aluminium base
- Available with complementary cantilever side chairs

### Technical Details

Model	MU/7	MU/7A23	MU/7A24	MU/7A25	MUM/7	MUM/7A23
OA Height	975-1150	975-1150	975-1150	975-1150	1030-1200	1030-1200
OA Width	680	680	680	680	680	680
OA Depth	680	680	680	680	680	680
OA Arm Height	-	610	610-760	610-770	-	610
Seat Height	470-560	470-560	470-560	470-560	470-560	470-560
Seat Width	490	490	490	490	490	490
Seat Depth	430-470	430-470	430-470	430-470	430-470	430-470

Model	MUM/7A24	MUM/7A25	MUCA	MUC	MUMCA	MUMC
OA Height	1030-1200	1030-1200	1015	1015	1070	1070
OA Width	680	680	520	520	520	520
OA Depth	680	680	600	600	600	600
OA Arm Height	610-760	610-770	650	-	650	-
Seat Height	470-560	470-560	500	500	500	500
Seat Width	490	490	520	520	520	520
Seat Depth	430-470	430-470	490	490	490	490



### MECH 7

- A - Back Adjustment Lock
- B - Back Angle Adjustment Tension
- C - Seat Height Adjustment
- D - Seat Depth Adjustment

Environment

Conformity

Quality

98% Recyclable

Maximum Load Per Seat

Fabric Choice

Guarantee