



GRESHAM



G SERIES MESH

PRODUCT DATA SPECIFICATION



GRESHAM

G SERIES MESH

PRODUCT DATA SPECIFICATION

An outstanding range of seating available with fabric back options.

Materials

Seat and back boards on upholstered chairs are produced from laminated plywood with pre-fitted threaded 'T' Nuts' for accurate mounting points.

The boards are covered with CMHR (Combustion Modified High Resilience) flexible Polyurethane foam for comfort and compliance to flammability requirements.

The seat and back boards are upholstered in fabric which is available in a wide selection of colours, patterns and weaves. Both mesh and upholstered backs are encapsulated within a structural, glass-filled Polyamide frame.

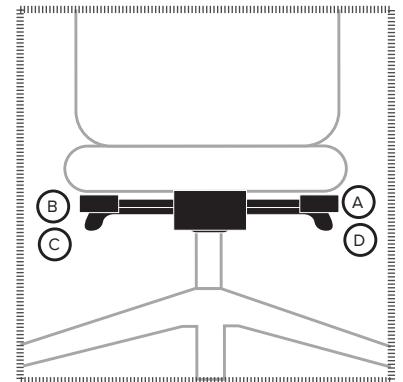
Structural elements, such as mechanisms, back bars or side chair frames are manufactured in steel. These are produced from various tubular or flat sheet sections and finished in either an epoxy powder coating or chrome finish depending upon the model.

Considerations

- Optional headrest
- Height adjustable backrest
- Optional arms
- Optional polished Aluminium base

Technical Details

Model	GSMR/7	GSMR/7A23	GSMR/7A24	GSMR/7A25	GSM/7	GSM/7A23	GSM/7A24	GSM/7A25	GSMC	GSMCA
OA Height	1210-1380	1210-1380	1210-1380	1210-1380	1070-1240	1070-1240	1070-1240	960	960	960
OA Width	680	680	680	680	680	680	680	680	530	530
OA Depth	680	680	680	680	680	680	680	680	525	525
OA Arm Height	-	610	610-760	610-770	-	610	610-760	610-770	-	-
Seat Height	470-560	470-560	470-560	470-560	470-560	470-560	470-560	470-560	450	450
Seat Width	490	490	490	490	490	490	490	490	455	455
Seat Depth	430-470	430-470	430-470	430-470	430-470	430-470	430-470	430-470	460	460



MECH 7

- A - Back Adjustment Lock
- B - Back Angle Adjustment Tension
- C - Seat Height Adjustment
- D - Seat Depth Adjustment

Environment

Conformity

Quality

98% Recyclable

Maximum Load Per Seat

Fabric Choice

Guarantee